



 **TEXWRAP**[®]

OVS Series Vertical Wrappers

ORBITAL MOTION VERTICAL SEAL SYSTEMS

R&E

ROBOTICS &
END OF LINE

OVS SERIES VERTICAL WRAPPERS

ORBITAL MOTION VERTICAL SEAL SYSTEMS

Now products such as bottles, cans and jars can be wrapped while in the vertical position.

The Texwrap OVS Series Vertical Seal Systems are ideal for end-of-filling-line shrink packaging. Now products such as bottles, cans and jars can be wrapped while in the vertical position. It can also rapidly form bags around stacks of food service disposable items like paper plates using print registered or clear film. The OVS Series machines use a full top or bottom trim seal instead of a lap seal to securely enclose the product. In addition to providing an outstanding seal, this eliminates the unsightly seam across the side panel of the package common with other machines.

Often used to multipack for retail sale, the precise product and film control of the OVS series allows high speed operation with precise print registration. Combine with an Automatic Label Positioning System and all the labels in of a multipack of product will be facing precisely the same direction.

The sealing system on these wrappers is Texwrap's patented servo orbital-motion head. This eliminates the need for the carriage to move with the product while the seal is being made, which dramatically increases the throughput speed of the wrapper. In addition, they have the capability to infinitely vary the speed of the exit conveyor which allows it to be slowed momentarily as the seal is being made to relieve tension on the film for superior seals.

WHY TEXWRAP?

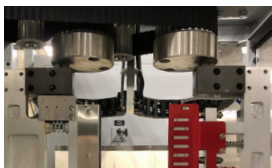
Texwrap's OVS Series systems utilize our patented orbital seal motion that ensures the machine creates a consistent, quality seal at a high speed, and are robust enough to run continuously, 3 shifts per day, 7 days a week.

Texwrap's vertically integrated manufacturing process means all our machines are designed, fabricated, and assembled under one roof.

Made in the U.S.A. quality and customer support, and our industry leading 10-Year Built-Better Backed-Better Warranty ensure the Lowest Total Cost of Ownership in the Industry.

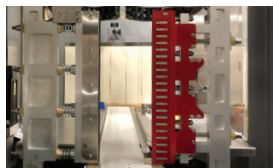


OVS SERIES FEATURES



ORBITAL SEAL SYSTEM

Utilizes Texwrap's Patented Orbital Seal System resulting in highest rate of speed at continuous operation.



SERVO CONTROLLED SEAL JAW

Servo controlled seal jaws allowing operation at a higher rate and still maintain consistent, precision seals.



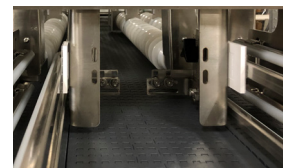
TEXWRAP DESIGNED PRODUCT INFEED

Utilizing its library of infeed designs Texwrap will configure a solution to optimize product output.



CENTERLINE JUSTIFIED

Easily paired with Texwrap infeed to provide a precise, consistent flow of product into the wrapper.



PRECISE PRODUCT CONTROL

Finely tuned product control through the transition zones to maximize seal strength and quality.

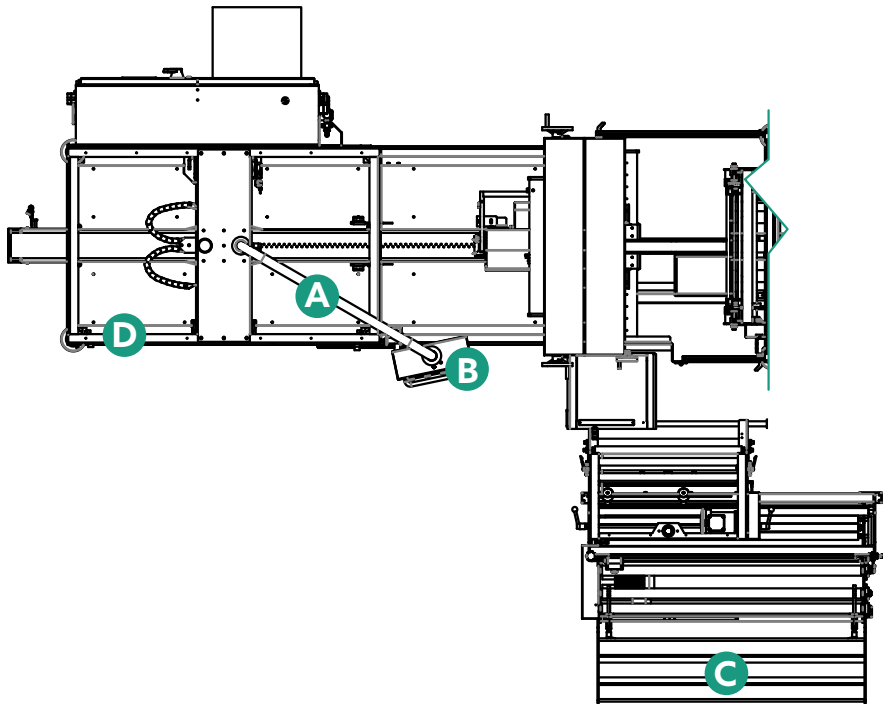
THE TVS DIFFERENCE



The rugged yet simple design of the patented TVS (Texwrap Versa Seal) sealing system produces the ultimate in consistent seal quality across a broad range of film types and gauges – with little or no adjustment.

Using very few moving parts, no air, and an uncoated sealing element ensures consistent seal quality with very little maintenance.

OVS SERIES TYPICAL MACHINE LAYOUT



- A** Swivel arm allows HMI to be positioned as needed
- B** HMI Interface with access to programmed recipes
- C** Ergonomic low-mount film cradle
- D** Heavy duty welded steel base frame

OPTIONS INCLUDE:

- Manual Film Splice
- Auto Film Splice
- Vacuum Scrap Removal
- Label Positioning System

TYPICAL PRODUCT SPECIFICATIONS

OVS Vertical Seal System	OVS-514	OVS-914	OVS-1418	OVS-1425
Maximum Package Size Both Height & Width cannot be at maximum dimension	14" Height 5" Width Infinite Length	14" Height 9" Width Infinite Length	18" Height 14" Width Infinite Length	25" Height 14" Width Infinite Length
Film Width	Max: 24" Center folded Optional: 48" Single wound	Max: 24" Center folded Optional: 48" Single wound	Max: 36" Center folded Optional: 72" Single wound	Max: 36" Center folded Optional: 72" Single wound
Conveyor Speed	Up to 200 feet per minute			
Typical Footprint Does not include door clearance, swivel arm position, or other options	123" Length x 69" Width	134" Length x 73" Width	148" Length x 106" Width	148" Length x 106" Width
Construction	Heavy-duty welded tubular steel standard; optional corrosion resistant design for wipe down environments			
Orientation	Right or Left-hand configuration available			
Country of Origin	Designed and manufactured in the USA			



Texwrap provides high-quality stand-alone machinery and systems to produce commercially attractive shrink wrapped and shrink bundled products that are protected for storage and shipping. We provide one of the most comprehensive lines of cost-effective high-speed shrink wrapping and bundling solutions for a variety of applications including L-bar sealers, continuous motion side sealers, intermittent motion side sealers, lap sealers, and vertical wrappers, as well as tunnels, conveyors, and infeeds. We also specialize in designing and building systems for e-commerce packaging, as well as custom systems to fit unique applications for a variety of shaped products.

We have a network of highly-trained packaging distributor partners to better serve our customers. These partnerships ensure the best machinery and application fit, smooth startup, reliable local service, and long-term return on investment.

USA
525 Vossbrink Dr.
Washington, Missouri 63090
P: 636-239-7424
TOLL FREE: 800-886-7421

E: Texwrap@ProMachBuilt.com
W: Texwrap.com

