

FANTOM ROBOT

Self-Propelled Semi-Automatic Stretch Wrapping System

Highlight's Fantom Robot gives you the flexibility to wrap loads anywhere in your facility without sacrificing consistency and film savings. The semi-automatic controls make wrapping varying sized loads simple and easy.

The Fantom Robot's mobile design allows it to be brought to unstable loads, preventing the need to move them unwrapped. The self-propelled load tracking design means that products of any weight, length, or width can be wrapped simply.



HIGHLIGHTS

- » Select Stretch, with 230% and 270% pre-stretch gears, provides greatly increased film savings and performance
- » The Fantom Robot eliminates the need to move unstable loads
- » Mobile design alleviates concerns for maximum product weight, length and width

PREMIUM FEATURES



Safe and Efficient

An Emergency Stop is automatically triggered when the safety bumper encounters an obstacle.

Auto film cut improves productivity up to 30%.



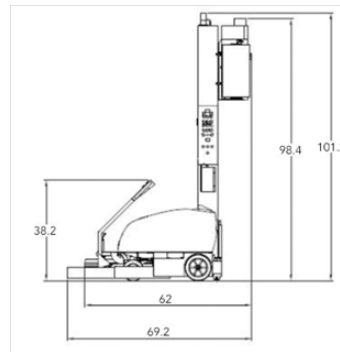
Greater Film Economy

The Phantom Robot's Select Stretch™ feature is located on top of the carriage and allows the operator to quickly change the stretch percentage between 230% and 270%.



Touchscreen Controls

6" Touchscreen provides intuitive control of Robot settings including wrap counts, speed, battery indication, and security. Multiple wrap recipes can also be stored.



Built to Last

Sturdy yet lightweight, the Phantom Robot will hold up for years of wrapping use.

SYSTEM SPECIFICATIONS

Batteries	2x 12V 100Ah	Charging Time	8 Hours (Battery at 5% Charge)
Production Rate	20-30 Loads Per Hour	Loads Per Charge	200-250 Loads Wrapped Per Charge
Speed	65-295 ft/min	Maximum Film Size	10-20" Film Roll Width, 9.5" Diameter
Pre-Stretch Film Ratios	230% / 270% Selectable	Load Capacity	24" L x 24" H x 86" H
Rotating Diameter	47 Inches	Load Weight	200 Pounds Minimum, Unlimited Maximum
Operating Temperature	40-95 Degrees F	Machine Size	69"x46"x101", 700 Pounds

Contact:



2694 Prairie SW
Wyoming, Michigan 49519
800-531-2465