

 **TEXWRAP**<sup>®</sup>

## TLS Series L-Sealers

SHRINK WRAPPING SYSTEMS

R&E

ROBOTICS &  
END OF LINE

# TLS SERIES L-SEALERS

SHRINK WRAPPING SYSTEMS

## LOWEST TOTAL COST OF OWNERSHIP

Texwrap's TLS Series systems are robust enough to run continuously, 3 shifts per day, 7 days a week.

Each machine is equipped with 100 feet per minute (FPM) conveyor speeds and Texwrap's patented Motion Trim™ technology. The result is a machine that maximizes speed yet minimizes wear on moving parts.

Robust, compact, and versatile, the TLS Series sets the standard for affordable L-Seal systems.

Texwrap's TLS Series L-Sealers simultaneously make the end and side seal of one package, as well as the front seal of the trailing package. The seal is made by feeding product into the centerfold film with photo-eyes detecting the leading and trailing edge of the product. L-Sealers fit applications where speeds are slow to moderate or where space is limited, and are affordable, versatile wrappers within a certain range of product sizes.

The L-Sealer design also includes a fully automatic product indexing & package length adjustment by either horizontal or vertical electric eye to accommodate most package configurations, plus low-mount film cradle, swivel operator panel, and touchscreen recipe library to easily recall package setups. The standard Allen Bradley PLC & HMI interface assures user friendly, reliable operation.



## L-SEALER FEATURES



### MOTION TRIM™ TECHNOLOGY

Texwrap patented feature that increases throughput by the running infeed and exit conveyors while seal jaws are in motion.



### AUTO REVERSING BELT

Reversing feature relaxes film to create better seals and reduces film usage especially with tall products.



### PASS THROUGH FEATURE

Standard option to allow product to move through machine without shrink wrapping the product.



### PROGRAMMABLE MULTI PACK FEATURE

Auto collates and wraps single lane multi-packs.



### CLEAN CORNER CUT TAIL REMOVAL

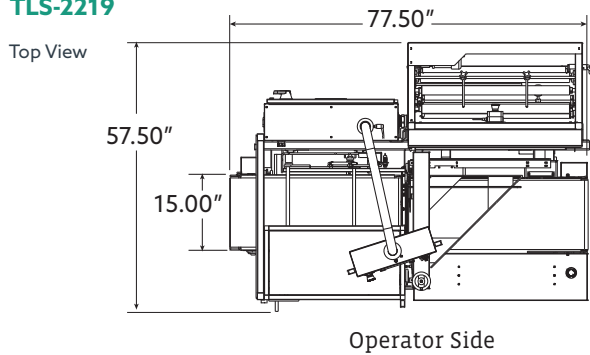
Cleanly cuts film tail by squaring the package prior to sealing. Results are consistently strong seals and superior aesthetics.



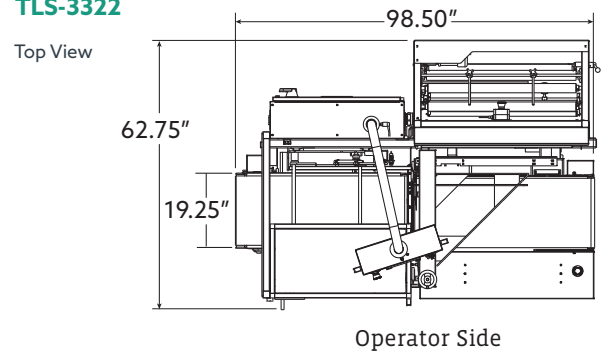
Made in the U.S.A. quality and customer support, and our industry leading 10-Year Built-Better Backed-Better Warranty ensure the Lowest Total Cost of Ownership in the Industry.

**DIMENSIONS - INCHES**

**TLS-2219**



**TLS-3322**



**TYPICAL PRODUCT SPECIFICATIONS**

L-Seal System	TLS-2219	TLS-3322
Maximum Package Size	9" Height (standard) or 7" (closing conveyor option) 15.5" Width 19" Length	10.5" Height (standard) or 8.5" (closing conveyor option) 19.5" Width 32" Length
Film Width	Maximum: 28" Center folded Minimum: 6" Center folded Optional 64" Folder Attachment with 32" Unwind	Maximum: 28" Center folded Minimum: 6" Center folded Optional 64" Folder Attachment with 32" Unwind
Conveyor Speed	20 to 100 feet per minute	
Construction	Heavy-duty welded tubular steel standard (corrosion resistant optional)	
Orientation	Right or Left-hand configuration available	
Country of Origin	Designed and manufactured in the USA	



**PROMACH**<sup>®</sup>

**TEXWRAP**<sup>®</sup>

Texwrap provides high-quality stand-alone machinery and systems to produce commercially attractive shrink wrapped and shrink bundled products that are protected for storage and shipping. We provide one of the most comprehensive lines of cost-effective high-speed shrink wrapping and bundling solutions for a variety of applications including L-bar sealers, continuous motion side sealers, intermittent motion side sealers, lap sealers, and vertical wrappers, as well as tunnels, conveyors, and infeeds. We also specialize in designing and building systems for e-commerce packaging, as well as custom systems to fit unique applications for a variety of shaped products.

We have a network of highly-trained packaging distributor partners to better serve our customers. These partnerships ensure the best machinery and application fit, smooth startup, reliable local service, and long-term return on investment.

USA

525 Vossbrink Dr.

Washington, Missouri 63090

P: 636-239-7424

TOLL FREE: 800-886-7421

E: [Texwrap@ProMachBuilt.com](mailto:Texwrap@ProMachBuilt.com)

W: [Texwrap.com](http://Texwrap.com)