



 **TEXWRAP**<sup>®</sup>

# Tekkra In-Line Shrink Bundlers

INTERMITTENT & CONTINUOUS MOTION SYSTEMS

R&E

ROBOTICS &  
END OF LINE

# TEKKRA 100 & 1000 SERIES

IN-LINE DUAL ROLL SHRINK BUNDLERS

## Engineered for the rigors of high-volume production environments.

The Tekkra inline shrink bundlers or wrappers are an ideal solution for wrapping trays of product in clear film. Both the Tekkra 100 and 1000 series product use dual rolls of film to envelope the product in trays which is passed through a tunnel to produce a product which is shrink bundled or wrapped with a bullseye at each end.

Tekkra 100 and 1000 series machines are designed to run continuously and withstand the rigors of a production environment. Each machine has a heavy-duty welded tubular steel frame and utilizes servos on all movements. The servo motion ensures greater control over the movement resulting in a better, more reliable seal and creates less wear and tear on the machine overall.

The Tekkra 100 series product uses intermittent motion and is best suited to slow to medium rate applications. Tekkra 1000 is a continuous motion shrink bundler and is best suited to medium to high-rate applications.



### WHY TEXWRAP?

Texwrap's Tekkra shrink bundlers are robust, enough to run continuously, 3 shifts per day, 7 days a week.

Each shrink bundler incorporates independent film feed drive motors for complete film application control at any production rate resulting in less film per package while each shrink tunnel incorporate air velocity and directional controls as well allowing the end user to have the most consistent, best looking, tightest shrink packages in the industry.

*Texwrap's vertically integrated manufacturing process means all our machines are designed, fabricated, and assembled under one roof*

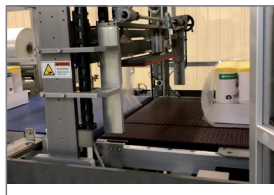
*Made in the U.S.A. quality and customer support, and our industry leading 10-Year Built-Better Backed-Better Warranty ensure the Lowest Total Cost of Ownership in the Industry.*

### TEKKRA INLINE BUNDLERS - FEATURES & BENEFITS



#### SERVO DRIVEN SEAL ASSEMBLY

All Allen-Bradley servo motion controls in the seal bar, pushers and lane dividers provide better seals and less maintenance.



#### LINEAR SLIDE DESIGN

Used in both the seal jaw closure and carriage travel assembly mean longer life and less maintenance over time.



#### ERGONOMIC POWERED FILM CRADLES

Film cradles are ergonomically designed to enable faster film changeovers.



#### ROBUST CONSTRUCTION

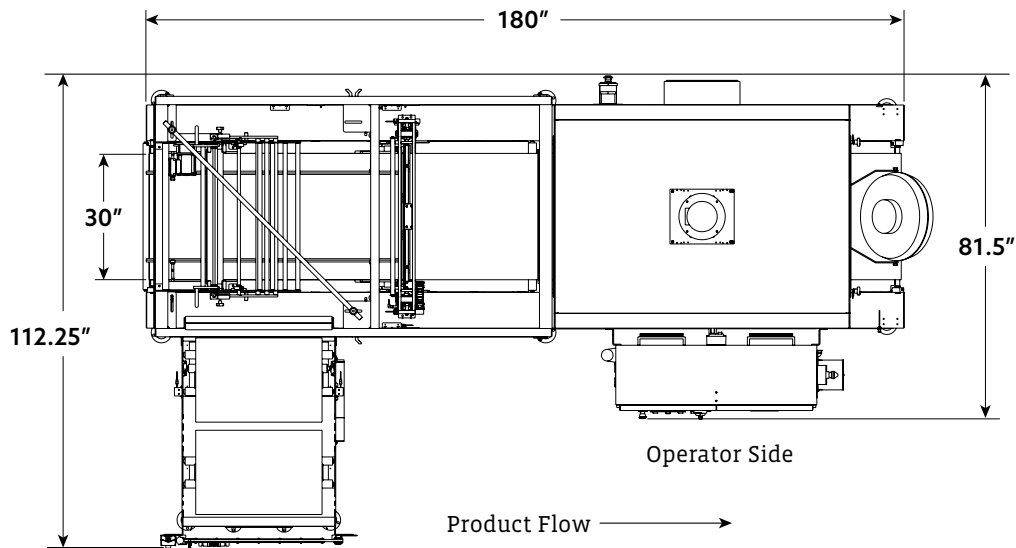
Heavy-duty welded, tubular frame construction.



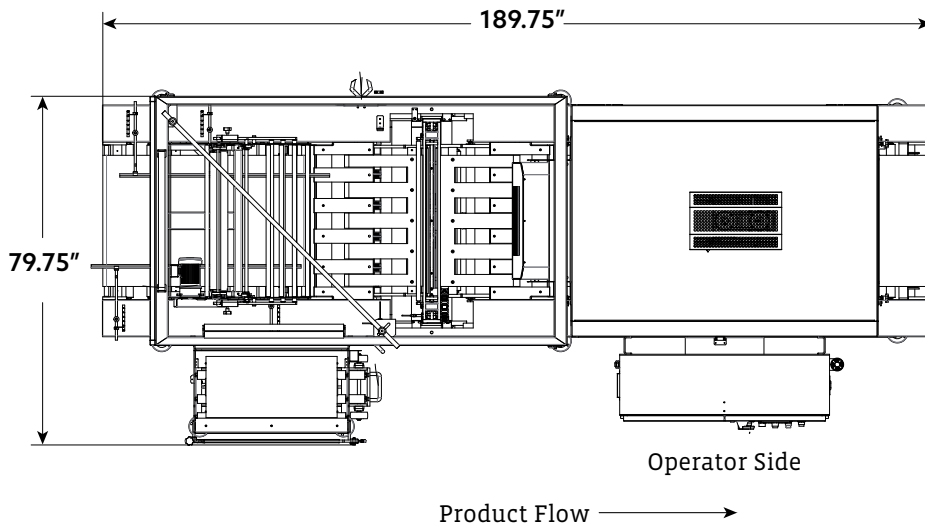
#### ACCESSIBLE SHRINK TUNNEL DESIGN

With the removal of 4 screws, operator can pull out the trays for maintenance.

**TEKKRA 100 SERIES WRAPPER - T-130**



**TEKKRA 1000 SERIES WRAPPER - T-1030**



**TYPICAL PRODUCT SPECIFICATIONS**

TEKKRA IN-LINE BUNDLERS	T-130-70	T-140-70	T-1020-60	T-1030-70	T-1040-70
<b>Maximum Package Size</b> Both Height & Width cannot be at maximum dimension	30"Width x 12"Height x Infinite Length	40"Width x 12"Height x Infinite Length	20"Width x 12"Height x Infinite Length	30"Width x 12"Height x Infinite Length	40"Width x 12"Height x Infinite Length
<b>Maximum Film Width</b>	30"	40"	20"	30"	40"
<b>Maximum Film Roll Diameter</b>	14"	14"	14"	14"	14"
<b>Film Core Size</b>	3"	3"	3"	3"	3"
<b>Tunnel Opening</b>	35"Width x 16"Height	45"Width x 16"Height	25"Width x 16"Height	35"Width x 16"Height	45"Width x 16"Height
<b>Typical Footprint</b>	185" x 101" x 89" ±2"	193" x 118" x 89" ±2"	170" x 91" x 89" ±2"	190" x 101" x 89" ±2"	190" x 118" x 89" ±2"
<b>Seal Assembly</b>	Intermittent Motion		Continuous Motion		
<b>Construction</b>	Heavy-duty welded tubular steel standard; optional corrosion resistant construction for wipe-down environments				
<b>Orientation</b>	Right or Left-hand configuration available				
<b>Country of Origin</b>	Designed and manufactured in the USA				



 **PROMACH**<sup>®</sup>

 **TEXWRAP**<sup>®</sup>

Texwrap provides high-quality stand-alone machinery and systems to produce commercially attractive shrink wrapped and shrink bundled products that are protected for storage and shipping. We provide one of the most comprehensive lines of cost-effective high-speed shrink wrapping and bundling solutions for a variety of applications including L-bar sealers, continuous motion side sealers, intermittent motion side sealers, lap sealers, and vertical wrappers, as well as tunnels, conveyors, and infeeds. We also specialize in designing and building systems for e-commerce packaging, as well as custom systems to fit unique applications for a variety of shaped products.

We have a network of highly-trained packaging distributor partners to better serve our customers. These partnerships ensure the best machinery and application fit, smooth startup, reliable local service, and long-term return on investment.

USA  
525 Vossbrink Dr.  
Washington, Missouri 63090  
P: 636-239-7424  
TOLL FREE: 800-886-7421

E: [Texwrap@ProMachBuilt.com](mailto:Texwrap@ProMachBuilt.com)  
W: [Texwrap.com](http://Texwrap.com)

