



 **TEXWRAP**[®]

LSS Series Lap Seal Wrappers

THERMO SEAL - STATIC SEAL - THERMO STATIC SEAL

R&E

ROBOTICS &
END OF LINE

LSS SERIES LAP SEALERS

THERMO SEAL - STATIC SEAL - THERMO STATIC SEAL

LSS Lap sealers are most popular in applications which call for long runs of same-sized products

Texwrap LSS Series can accommodate thermo seal lap seal, static seal lap seal and a thermo static lap seal either as operator options within the same machine or dedicated to one type depending on the application. Lap sealers are most popular in applications which call for long runs of constant-sized products because each product requires an individually sized plow and a specific width of film to be stocked.

The Texwrap LSS series has a standard overhead with an option for a floor mount cradle with manual splice or dual cradle auto splice. The LSS series offers several models to accommodate various product sizes and production rates. The LSS-145 employing Texwrap's patented orbital servo head combined with the 200 feet per minute conveyor speed make it ideal for high-speed production environments.

WHY TEXWRAP?

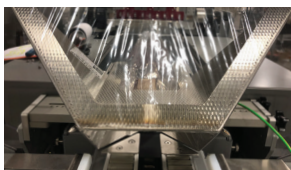
Texwrap's LSS Series machines employ patented Texwrap technology that ensures the machine creates a consistent, quality seal at a high speed, and are robust enough to run continuously, 3 shifts per day, 7 days a week.

Either the Motion Trim or Orbital motion technologies ensure that the resulting machine maximizes speed yet minimizes wear on moving parts

Made in the U.S.A. quality and customer support, and our industry leading 10-Year Built-Better Backed-Better Warranty ensure the Lowest Total Cost of Ownership in the Industry.

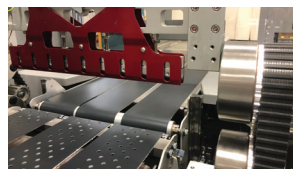


LSS SERIES FEATURES



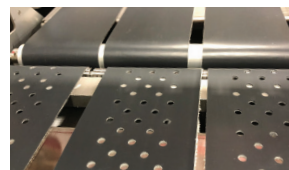
SEAL VERSATILITY

Accommodates thermo seal, static seal and thermo static lap seal technologies.



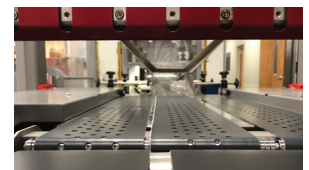
SERVO CONTROLLED SEAL JAW

Servo controlled seal jaws allowing operation at a higher rate and still maintain consistent, precision seals.



MOTION TRIM™ TECHNOLOGY

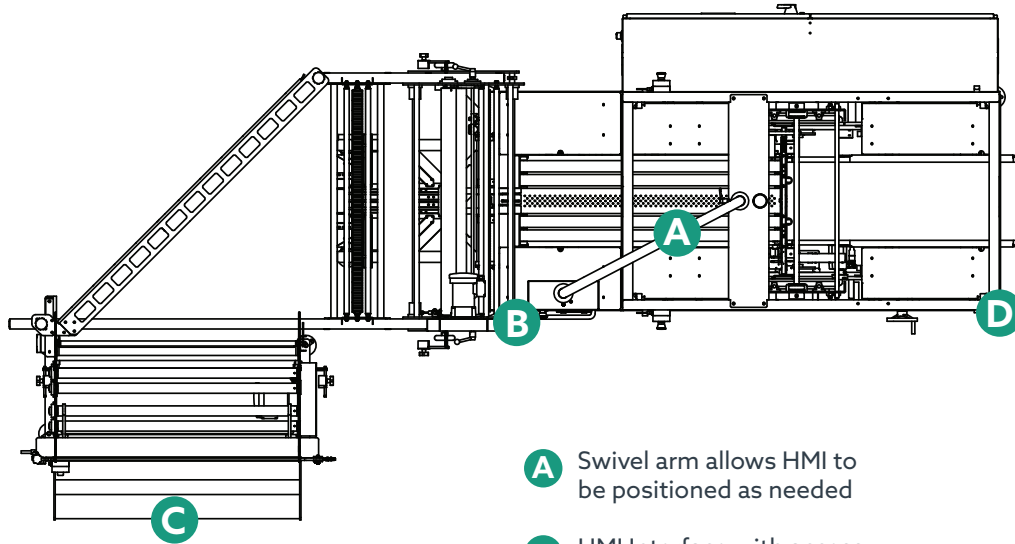
Texwrap's patented technology increases throughput by the running infeed and exit conveyors while seal jaws are in motion (non-orbital machines).



PRECISE PRODUCT CONTROL

Finely tuned product control through the transition zones to maximize seal strength and quality.

LSS SERIES TYPICAL MACHINE LAYOUT



- A** Swivel arm allows HMI to be positioned as needed
- B** HMI Interface with access to programmed recipes
- C** Optional side mounted film cradle
- D** Heavy duty welded steel base frame

TYPICAL PRODUCT SPECIFICATIONS

| LSS Side Seal System | LSS-1407 | LSS-1809 | LSS-145 |
|--|--|---|---|
| Maximum Package Size Both Height & Width cannot be at maximum dimension | 7" Height 14" Width Infinite Length | 9" Height 18" Width Infinite Length | 4.5" Height 14" Width Infinite Length |
| Film Width | Maximum: 48" Single wound | Maximum: 54" Single wound | Maximum: 48" Single wound |
| Conveyor Speed | Up to 140 feet per minute | | Up to 200 feet per minute |
| Typical Footprint Does not include door clearance, swivel arm position, or other options | 123" Length x 69" Width | 134" Length x 73" Width | 118" Length x 70" Width |
| Construction | Heavy-duty welded tubular steel standard; optional corrosion resistant design for wipe down environments | | |
| Orientation | Right or Left-hand configuration available | | |
| Country of Origin | Designed and manufactured in the USA | | |



Texwrap provides high-quality stand-alone machinery and systems to produce commercially attractive shrink wrapped and shrink bundled products that are protected for storage and shipping. We provide one of the most comprehensive lines of cost-effective high-speed shrink wrapping and bundling solutions for a variety of applications including L-bar sealers, continuous motion side sealers, intermittent motion side sealers, lap sealers, and vertical wrappers, as well as tunnels, conveyors, and infeeds. We also specialize in designing and building systems for e-commerce packaging, as well as custom systems to fit unique applications for a variety of shaped products.

We have a network of highly-trained packaging distributor partners to better serve our customers. These partnerships ensure the best machinery and application fit, smooth startup, reliable local service, and long-term return on investment.

USA
525 Vossbrink Dr.
Washington, Missouri 63090
P: 636-239-7424
TOLL FREE: 800-886-7421

E: Texwrap@ProMachBuilt.com
W: Texwrap.com

