

EXPERIENCE THE POWER OF PRECISION

**WITH OUR NEW SERVO DRIVEN
CARTON SEALING SOLUTION**

SERVO TECHNOLOGY

FOR PRECISION AND SPEED

QUICK HIGHLIGHTS

SEALS UP TO 12 CARTONS PER/MIN.*

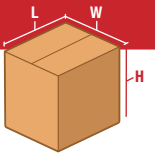
*SPEED DEPENDENT ON CARTON SIZE AND MACHINE OPTIONS

- eWon VPN Wifi Module | Remote Connectivity
- Side Belt Drive System with Rollers Behind the Belts for Less Wear and Tear on Parts
- Low Tape/No Tape Monitoring with Alarm Notification
- Jam Detection
- CNC Cut and Welded Frame/Legs for Stronger and More Stable Frame

CARTON RANGE

Specifications based on CSF22-2

Length (min. - max.)	Width (min. - max.)	Height (min. - max.)
(8.0" - 25.5)	(4.0" - 20.0")	(4.0" - 20.0")



CSF FULLY AUTOMATIC RANDOM SERVO CARTON SEALER

The BestPack™ CSF is a Fully Automatic Random Carton Sealer that uses 1 servo motor on the folding section providing precision & accuracy for carton sealing repeatability. Our **complimentary level 1** tech support uses the VPN module in the CSF, to enable our technicians to detect real-time machine issues for timely assistance and optimal performance. The CSF provides the best fully automatic technology at an affordable price.



FREE PRODUCT SUPPORT:
TRAINING VIDEOS | ONLINE MANUALS | TECH SUPPORT

*CONTACT YOUR LOCAL BESTPACK REPRESENTATIVE FOR MORE INFORMATION

WWW.BESTPACK.COM

VERSION 2.0_1023



ACCESSIBLE TECHNICAL SUPPORT

Convenient technical support is readily available via a QR code on solution.



BESTPACK'S "SOFT TOUCH" SYSTEM

Air powered belt drive and sealing section decreases product damage while maintaining presentation.



UPSTREAM AND DOWNSTREAM CONVEYOR CONTROL

Easily integratable infeed and exit conveyor systems.



EWON VPN WIFI MODULE

Allows for easy diagnosis for your machine saving you on costly maintenance visits and downtime.



SERVO MOTOR POWERED

Provides precise control of position and speed on the Flap Folding Station.

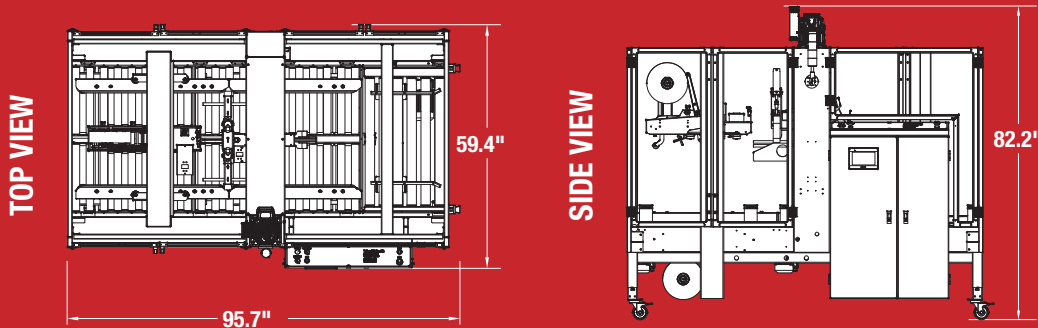


HMI- HUMAN MACHINE INTERFACE

Operator controls panel that provides reliable data & troubleshooting at your fingertips.

MACHINE FOOTPRINT

Specifications based on CSF22-2



Note: Dimensions are all subject to change without prior notification.

OPTIONS

- Available in Stainless Steel
- Bypass Capabilities (Bypassing Folding and Top Sealing)
- Platform to Raise Machine Bed Height to 31" to 37"
- Additional Safety Options:
 - Entry / Exit Gates
 - AB Safety Relay, Dual Channel Interlocks and Dump Valves

POPULAR CSF MODELS

PLEASE REFER TO COMPARISON CHART FOR COMPLETE LIST OF MODELS.

MODEL	MACHINE DIMENSIONS LENGTH x WIDTH x HEIGHT	CARTON RANGE LENGTH (min. - max.) x WIDTH (min. - max.) x HEIGHT (min. - max.)	POWER REQUIREMENTS	AIR REQUIREMENTS	CARTONS PER MIN.
CSF222L-2H-AO 2" Tape Head	(95.7") x (59.4") x (82.2")	(8.0" - 25.5") x (4.0" - 20.0") x (4.0" - 20.0")	110 Volts 20 AMPS	80 PSI, 9 SCFM	Up to 12
CSF222L-3H-AO 3" Tape Head	(95.7") x (59.4") x (82.2")	(8.0" - 25.5") x (5.0" - 20.0") x (4.0" - 20.0")	110 Volts 20 AMPS	80 PSI, 9 SCFM	Up to 12
CSF222R-2H-AO 2" Tape Head	(95.7") x (59.4") x (82.2")	(8.0" - 25.5") x (4.0" - 20.0") x (4.0" - 20.0")	110 Volts 20 AMPS	80 PSI, 9 SCFM	Up to 12
CSF222R-3H-AO 3" Tape Head	(95.7") x (59.4") x (82.2")	(8.0" - 25.5") x (5.0" - 20.0") x (4.0" - 20.0")	110 Volts 20 AMPS	80 PSI, 9 SCFM	Up to 12

INFORMATION SUBJECT TO CHANGE WITHOUT NOTICE.

ALL MODELS AVAILABLE IN FOOD GRADE 304 STAINLESS STEEL



For more information please go to:
WWW.BESTPACK.COM or call us at **1.888.588.2378**