



 **TEXWRAP**<sup>®</sup>

## BVS Series Vertical Wrappers

BOX MOTION VERTICAL SEAL SYSTEMS

R&E

ROBOTICS &  
END OF LINE

# BVS SERIES VERTICAL WRAPPERS

BOX MOTION VERTICAL SEAL SYSTEMS

Ideal for multipacks or variety packs of bottles, cans, jars, or canisters. Use in line with the filler, while product is vertical – eliminates the labor and expense of laying product down prior to wrapping.

The BVS Series machines take the dual-axis servo CSS horizontal wrappers technology and applies it to wrap products in the upright position. The BVS Vertical Sealers are ideally suited to multipacks or variety packs of bottles, cans, jars, or canisters that exit upstream equipment in a vertical position, using either a top or bottom trim seal. Unlike side seal systems, the labor and expense of laying vertical product down for wrapping is eliminated.

The BVS series sealers also eliminate the need for a “boot” to collate the product before sealing. The end result is a very secure and attractive package. To further enhance the retail appearance of multipacks, the BVS combines with an optional Automatic Label Positioning System (Orientor) that positions all product labels in precisely the same direction.

In applications where the boot was also used to hide bar codes, the wrapper can use printed film or a label to hide the bar codes and identify the new unit as a multipack, creating the most attractive and secure package.

## WHY TEXWRAP?

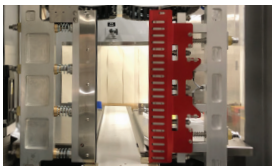
Texwrap's BVS Series systems employs Texwrap Versa Seal technology that ensures the machine creates a consistent, quality seal at a high speed, and are robust enough to run continuously, 3 shifts per day, 7 days a week.

Each machine is equipped with Texwrap's patented Motion Trim™ technology and conveyor speeds up to 140 feet per minute. The result is a machine that maximizes speed yet minimizes wear on moving parts.

*Made in the U.S.A. quality and customer support, and our industry leading 10-Year Built-Better Backed-Better Warranty ensure the Lowest Total Cost of Ownership in the Industry.*



## BVS SERIES FEATURES



### SERVO CONTROLLED SEAL JAW

Servo controlled seal jaws allowing operation at a higher rate and still maintain consistent, precision seals.



### TEXWRAP DESIGNED PRODUCT INFEEED

Utilizing its library of infeed designs Texwrap will configure a solution to optimize product output.



### STANDARD AUTO-SPACING CONTROL

Using vertical or horizontal photo eyes to detect leading and trailing edges of product to create consistent spacing between products.



### CENTERLINE JUSTIFIED

Easily paired with Texwrap infeed to provide a precise, consistent flow of product into the wrapper.



### PRECISE PRODUCT CONTROL

Finely tuned product control through the transition zones to maximize seal strength and quality.

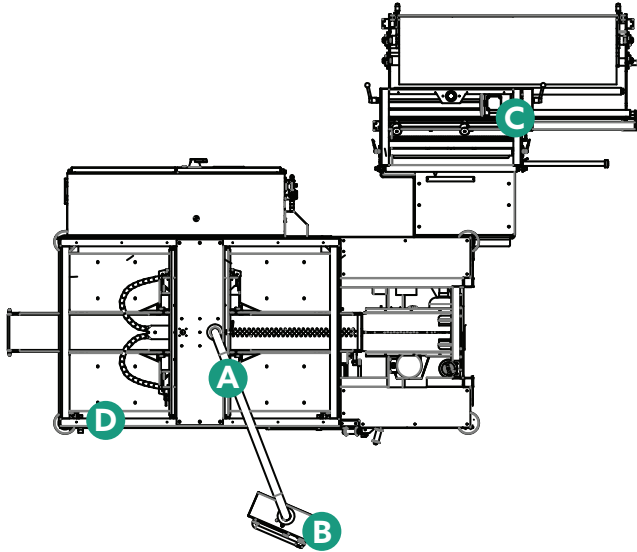
## THE TVS DIFFERENCE



The rugged yet simple design of the patented TVS (Texwrap Versa Seal) sealing system produces the ultimate in consistent seal quality across a broad range of film types and gauges – with little or no adjustment.

Using very few moving parts, no air, and an uncoated sealing element ensures consistent seal quality with very little maintenance.

## BVS SERIES TYPICAL MACHINE LAYOUT



- A** Swivel arm allows HMI to be positioned as needed
- B** HMI Interface with access to programmed recipes
- C** Ergonomic low-mount film cradle
- D** Heavy duty welded steel base frame

### OPTIONS INCLUDE:

- Manual Film Splice
- Auto Film Splice
- Vacuum Scrap Removal
- Label Positioning System

## TYPICAL PRODUCT SPECIFICATIONS

BVS Vertical Seal System	BVS-914	BVS-1418
<b>Maximum Package Size</b> Both Height & Width cannot be at maximum dimension	14" Height 9" Width Infinite Length	18" Height 14" Width Infinite Length
<b>Film Width</b>	Maximum: 24" Center folded Optional: 48" Single Wound	Maximum: 36" Center folded Optional: 72" Single Wound
<b>Conveyor Speed</b>	Up to 140 feet per minute	
<b>Typical Footprint</b> Does not include door clearance, swivel arm position, or other options	134" Length x 73" Width	186" Length x 111" Width
<b>Construction</b>	Heavy-duty welded tubular steel standard; optional corrosion resistant design for wipe down environments	
<b>Orientation</b>	Right or Left-hand configuration available	
<b>Country of Origin</b>	Designed and manufactured in the USA	



Texwrap provides high-quality stand-alone machinery and systems to produce commercially attractive shrink wrapped and shrink bundled products that are protected for storage and shipping. We provide one of the most comprehensive lines of cost-effective high-speed shrink wrapping and bundling solutions for a variety of applications including L-bar sealers, continuous motion side sealers, intermittent motion side sealers, lap sealers, and vertical wrappers, as well as tunnels, conveyors, and infeeds. We also specialize in designing and building systems for e-commerce packaging, as well as custom systems to fit unique applications for a variety of shaped products.

We have a network of highly-trained packaging distributor partners to better serve our customers. These partnerships ensure the best machinery and application fit, smooth startup, reliable local service, and long-term return on investment.

USA  
525 Vossbrink Dr.  
Washington, Missouri 63090  
P: 636-239-7424  
TOLL FREE: 800-886-7421

E: [Texwrap@ProMachBuilt.com](mailto:Texwrap@ProMachBuilt.com)  
W: [Texwrap.com](http://Texwrap.com)

