

ISS Series Side Seal Wrappers

INTERMITTENT MOTION SHRINK SYSTEMS

R&E

ROBOTICS &
END OF LINE

ISS SERIES SIDE SEALERS

INTERMITTENT MOTION SHRINK WRAPPING SYSTEMS

The ISS Series Intermittent Motion Side Sealer are Texwrap's offering for applications requiring the wrapping of products at moderate speed, where product length or height exceeds the capacity of an L-sealer.

Texwrap's ISS Series machines are flexible enough to wrap anything from a deck of cards to a bundle of wood flooring. With film/conveyor speeds of 100 feet per minute, the ISS has plenty of speed to handle a variety of applications.

Flexibility and ease-of-use are hallmarks of Texwrap ISS Series design. With standard auto spacing control, horizontal as well as vertical photo eyes, and the ability to precisely vary the conveyor speeds to relax the film between products, the ISS series can accommodate randomly fed or choke-spaced product and accurately separate them for reliable, consistent packages using the absolute minimum amount of film.



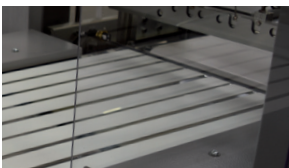
WHY TEXWRAP?

Texwrap's ISS Series employs Texwrap Versa Seal technology that ensures a consistent, quality seal and is robust enough to run continuously, 3 shifts per day, 7 days a week.

Each machine is equipped with 100 feet per minute (FPM) conveyor speeds and Texwrap's patented Motion Trim™ technology. The result is a machine that maximizes speed yet minimizes wear on moving parts.

Made in the U.S.A. quality and customer support, and our industry leading 10-Year Built-Better Backed-Better Warranty ensure the Lowest Total Cost of Ownership in the Industry.

ISS SERIES FEATURES



MOTION TRIM™ TECHNOLOGY

Increases throughput by the running infeed and exit conveyors while seal jaws are in motion.



STANDARD AUTO-SPACING CONTROL

Using vertical or horizontal photo eyes to detect leading and trailing edges of product to create consistent spacing between products.



AUTOMATIC BAG LENGTH ADJUSTMENT

Horizontal and vertical photo eye controlled cross seal to provide automatic adjustment for bag length.



INDEPENDENT CONVEYOR CONTROLS

Infeed and exit conveyors can be programmed at slightly different speeds to optimize the seal created and the overall throughput.

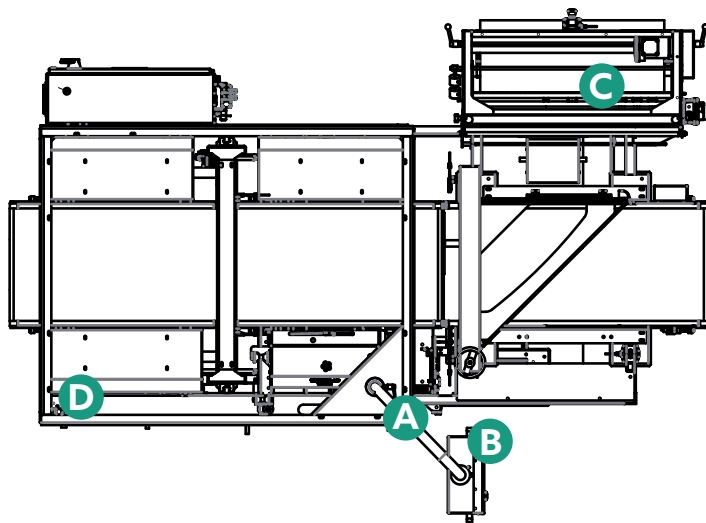
THE TVS DIFFERENCE



The rugged yet simple design of the patented TVS (Texwrap Versa Seal) side seal system produces the ultimate in consistent seal quality across a broad range of film types and gauges - with little or no adjustment.

Using very few moving parts, no air, and an uncoated sealing element ensures consistent seal quality with very little maintenance.

ISS SERIES TYPICAL MACHINE LAYOUT



- A** Swivel arm allows HMI to be positioned as needed
- B** HMI Interface with access to programmed recipes
- C** Ergonomic low-mount film cradle
- D** Heavy duty welded steel base frame

TYPICAL PRODUCT SPECIFICATIONS

ISS Side Seal System	ISS-2410	ISS-3618
Maximum Package Size Both Height & Width cannot be at maximum dimension	10" Height 24" Width Infinite Length	17" Height 34" Width Infinite Length
Film Width	Maximum: 36" Center folded Optional: 72" Single wound	Maximum: 44" Center folded Optional: 88" Single wound
Conveyor Speed	Up to 100 feet per min	
Typical Footprint Does not include door clearance, swivel arm position, or other options	137" Length x 82" Width	145" Length x 101" Width
Construction	Heavy-duty welded tubular steel standard; optional corrosion resistant design for wipe down environments	
Orientation	Right or Left-hand configuration available	
Country of Origin	Designed and manufactured in the USA	



TEXWRAP
TVS2



Texwrap provides high-quality stand-alone machinery and systems to produce commercially attractive shrink wrapped and shrink bundled products that are protected for storage and shipping. We provide one of the most comprehensive lines of cost-effective high-speed shrink wrapping and bundling solutions for a variety of applications including L-bar sealers, continuous motion side sealers, intermittent motion side sealers, lap sealers, and vertical wrappers, as well as tunnels, conveyors, and infeeds. We also specialize in designing and building systems for e-commerce packaging, as well as custom systems to fit unique applications for a variety of shaped products.

We have a network of highly-trained packaging distributor partners to better serve our customers. These partnerships ensure the best machinery and application fit, smooth startup, reliable local service, and long-term return on investment.

USA
525 Vossbrink Dr.
Washington, Missouri 63090
P: 636-239-7424
TOLL FREE: 800-886-7421

E: Texwrap@ProMachBuilt.com
W: Texwrap.com

