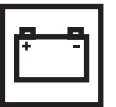
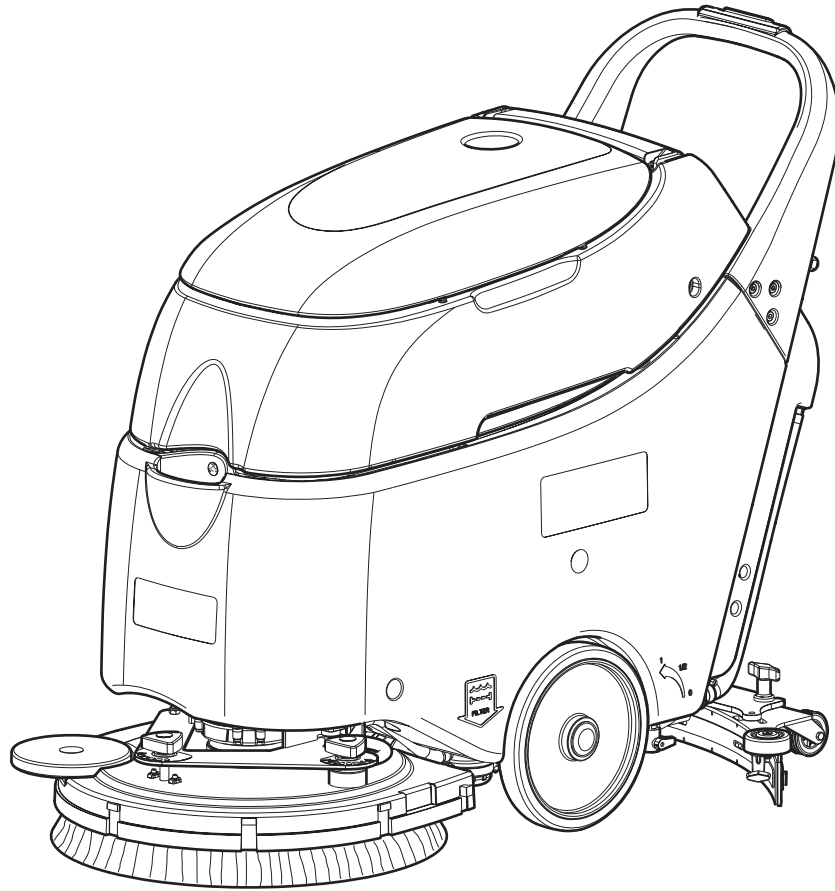


SC450



PARTS LIST

Advance models: 9087331020



Advance

9099603000(1)2012-08

TABLE OF CONTENTS

ENG	PAGE
GENERAL VIEW	2 - 3
SOLUTION TANK	4 - 5
RECOVERY TANK	6 - 7
HANDLE BAR AND WHEELS	8 - 9
SOLUTION SYSTEM	10 - 11
SQUEEGEE SYSTEMS	12 - 13
BRUSH DECK	14 - 15
COVER PANEL	16 - 17
ELECTRICAL COMPONENTS	18 - 19
BATTERY CHARGER	20 - 21
ACCESSORIES	22 - 23
WIRING DIAGRAM	24 - 25
RECOMMENDED SPARE PARTS LIST	26
OPTIONAL LIST	27

WHEN ORDERING PARTS

- * Use the part numbers from the "Ref. No." columns in this parts list.
- * Specify the model and serial number of the machine.
- * Use the space below to record the model and serial number for future reference.

Model

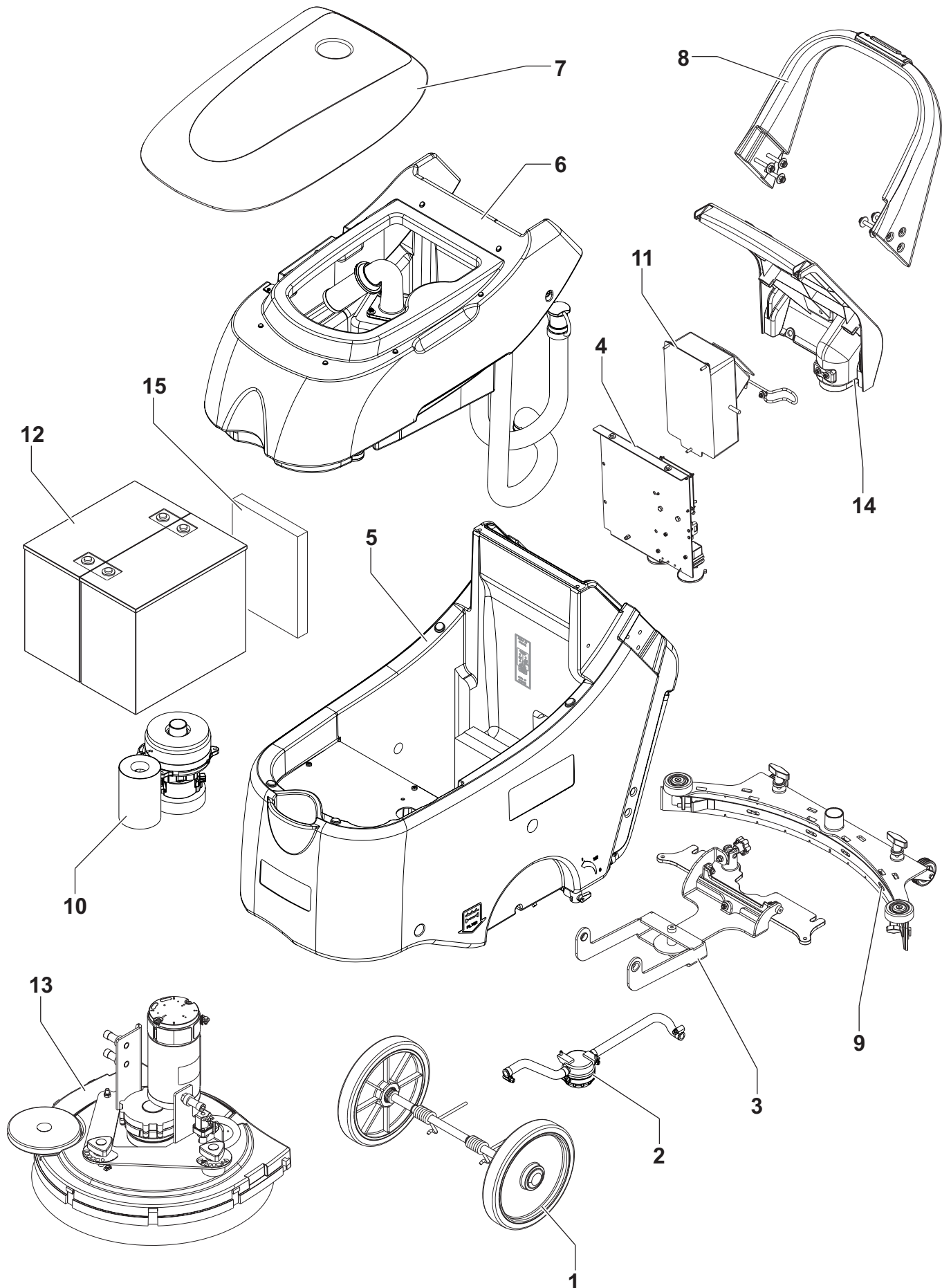
Serial No.

* = Optional

= Modified item No. or New item No.

[] = Not shown

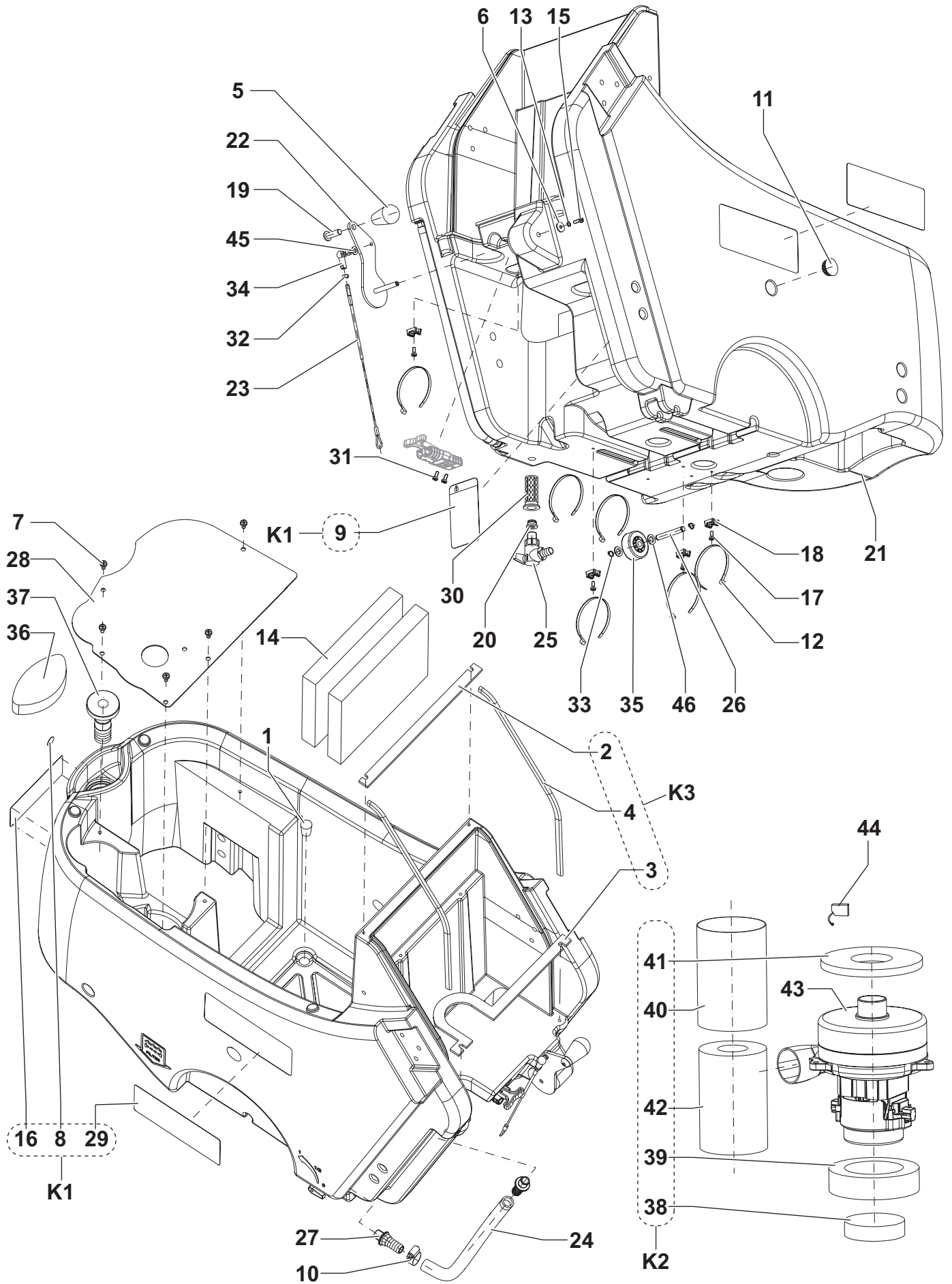
GENERAL SYSTEM



GENERAL SYSTEM

ITEM	REF. NO.	QTY	DESCRIPTION
1		1	WHEELS ASSEMBLY
2		1	SOLUTION SYSTEM ASSEMBLY
3		1	SQUEEGEE HOLDER ASSEMBLY
4		1	ELECTRONIC BOX ASSEMBLY
5		1	FRESH TANK ASSEMBLY
6		1	RECOVERY TANK ASSEMBLY
7		1	COVER TANK ASSEMBLY
8		1	HANDLE BAR ASSEMBLY
9		1	SQUEEGEE ASSEMBLY
10		1	VACUUM ASSEMBLY
11		1	CHARGER ASSEMBLY
12		1	BATTERIES
13		1	BRUSH DECK ASSEMBLY
14		1	COVER PANEL ASSEMBLY
15	145 6094 000	1	ISOLANT PANEL

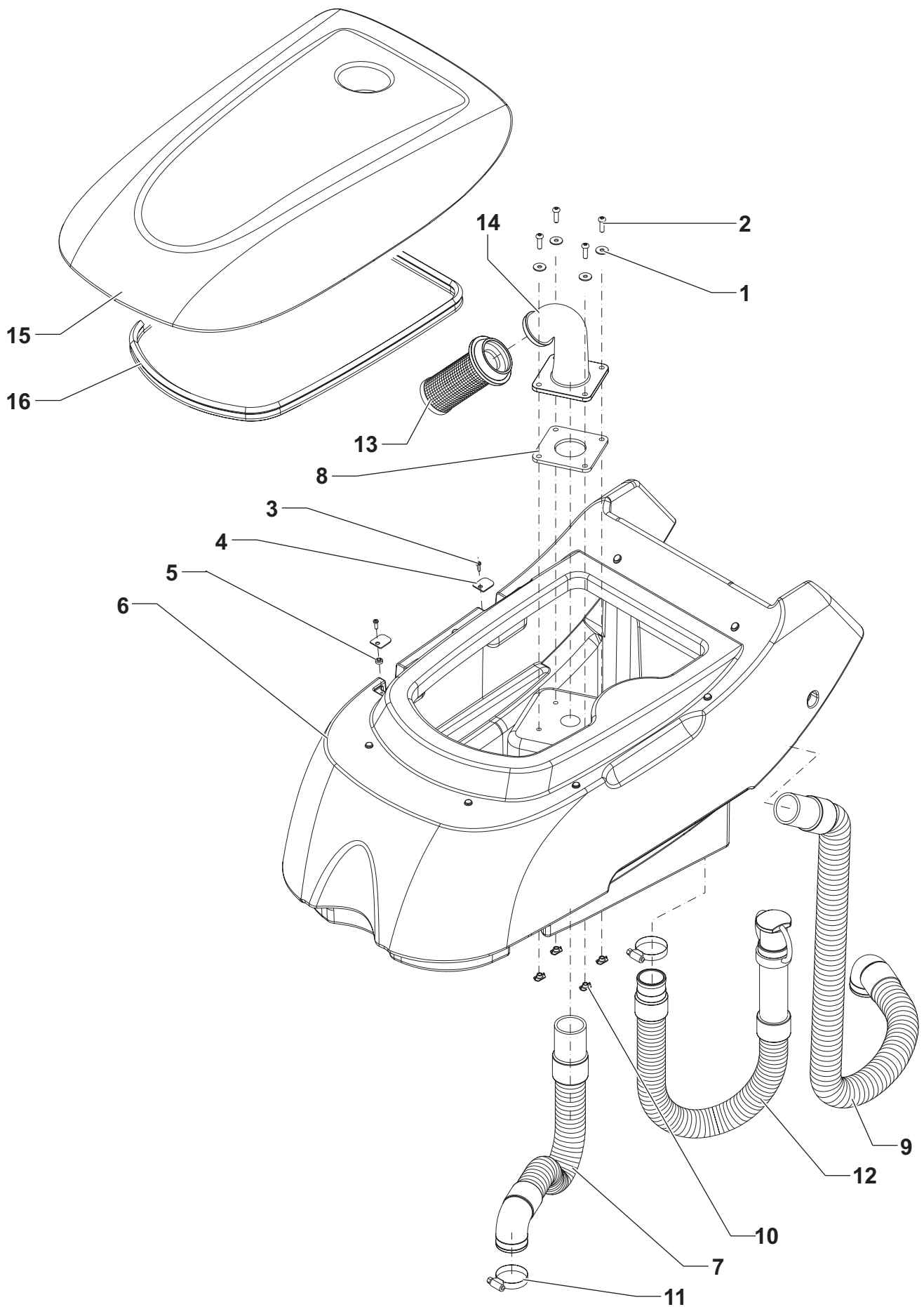
SOLUTION TANK



SOLUTION TANK

	ITEM	REF. NO.	QTY	DESCRIPTION
K4	1		1	CAP BLACK
K3	2		1	GASKET
K3	3		1	GASKET
K3	4		2	GASKET L=960
K4	5		1	KNOB
K4	6		1	WASHER 6X18 UNI6592
K4	7		5	SCREW M6X12 UNI7687
K1	8		1	DECAL WATER FAUCET
K1	9		1	WARNING LABEL
K4	10		1	CLAMP 12/ 16-27
K4	11		2	CAP BLACK,TANK LOCKING
K4	12		4	CLAMP BLACK 4,8X200
K4	13		1	WASHER M5 UNI1751B
	14	146 0668 000	2	PANEL INSULATING H=30
K4	15		1	SCREW M5X16 UNI7687
K1	16		1	DECAL ADVANCE RECTANGULAR
K4	17		4	SCREW, PAN PHIL M5x12 SS
K4	18		4	HOLDER,FLAT TIE
K4	19		1	SCREW M10X30 ISO7380
	20	909 5286 000		GASKET
	21	9099251000	1	FRESH WATER TANK
K4	22		1	SQUEEGEE LIFT LEVER
	23	9099258000	1	SQUEEGEE LIFT ROPE
	24	9099261000	1	SOLUTION HOSE ØI=16
	25	9099513000	1	VALVE ELBOW 90°
K4	26		1	PIN FOR TRANSPORT WHEEL
K4	27		2	HOSE BARB G3/8" ØI11.5
	28	9099275000	1	VACUUM-MOTOR PLATE
K1	29		2	DECAL "MACHINE NAME"
	30*	9096916000	1	FILTER SOLUTION TANK
K4	31		2	SCREW M3X20 UNI7687
K4	32		1	NUT HEX M6 UNI5588
K4	33		2	RING D 9 UNI7435
K4	34		1	BALL JOINT M6 DIN 71802
	35	9099560000	1	WHEEL 2"
	36	9099561000	1	SPONGE FOR WATER
	37*	9097290000	1	HOSE FILLING
K2	38	909 6672 000	1	VACUUM FUN FILTER
K2	39		1	VACUUM MOTOR GASKET
K2	40		1	SHEATH D.48
K2	41		1	VACUUM MOTOR GASKET
K2	42		1	ACOUSTIC INSULATION PIPE
	43	9099922000	1	VACUUM MOTOR 330W 24V KIT (M2)
	44	909 5371 000	2	CARBON BRUSH
K4	45		1	WASHER, SPLIT LOCK D.6
K4	46		2	WASHER NYLON 10x21x1
	K1	9099856000	1	DECAL KIT SC450
	K2	9099310000	1	SPONGE KIT
	K3	9099311000	1	GASKET KIT
	[K4]	9099312000	1	SOLUTION TANK HW KIT

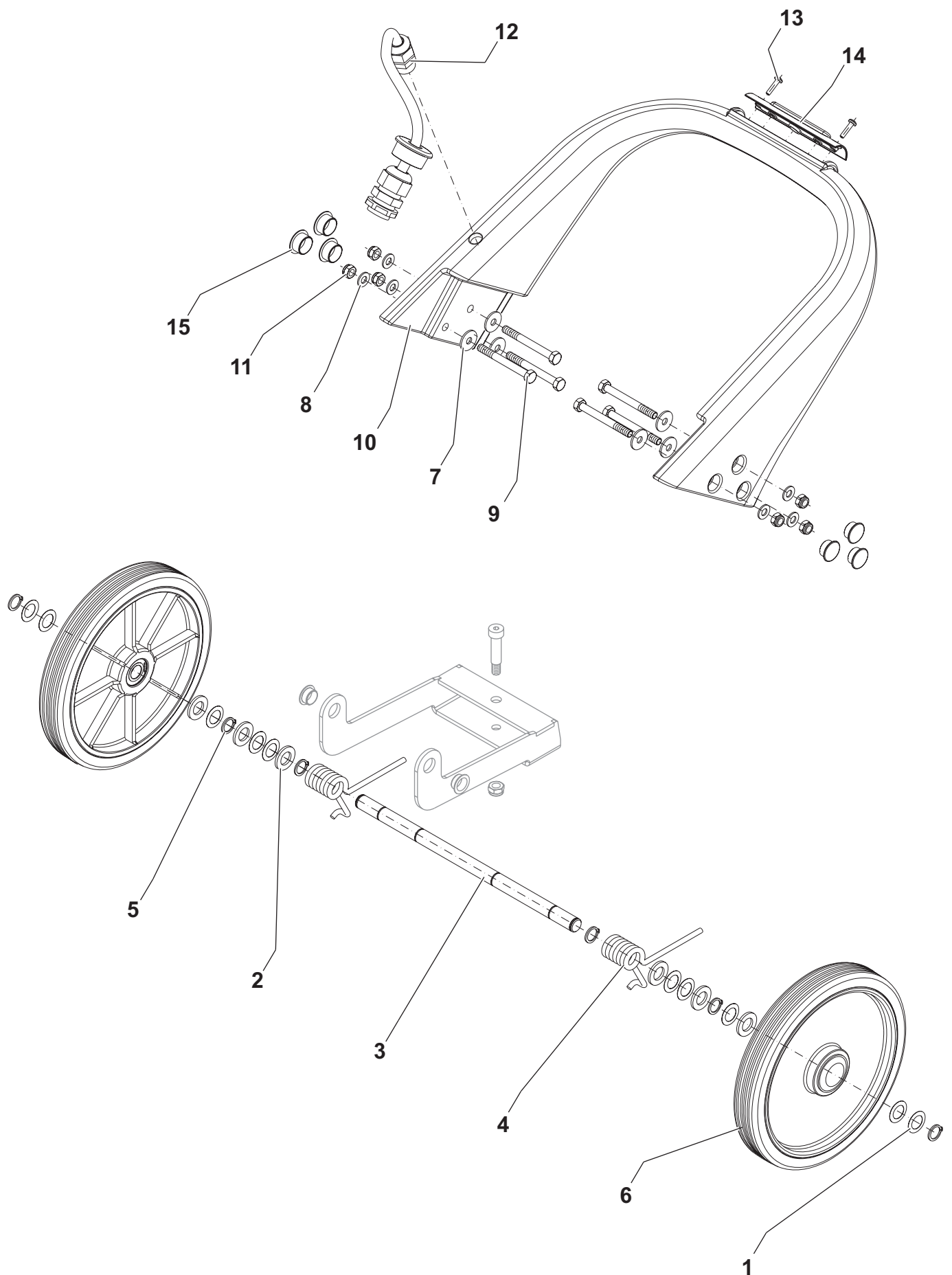
RECOVERY TANK



RECOVERY TANK

	ITEM	REF. NO.	QTY	DESCRIPTION
	K1	1	4	WASHER 6.4X12x1 NYLON
	K1	2	4	SCREW, BUTTON SOC M6x20
	K1	3	2	SCREW CYL HD SELFL 3,9X12
	K1	4	2	PLATE, TANK COVER
	K1	5	1	BUSH FLANGED
		6	9099252000	1 RECOVERY TANK
		7	9099255000	1 VACUUM MOTOR HOSE
		8	9099276000	1 GASKET FLOAT CAGE HOLDER
		9	9099281000	1 SQUEEGEE HOSE
	K1	10	4	NUT DRIVIN 6x6 SS
	K1	11	2	CLAMP HOSE 10/25-45 SERFLEX
		12	9099692000	1 HOSE DRAIN KIT
		13	9099559000	1 FLOAT SHUT OFF
		14	9099558000	1 ELBOW ADAPTOR FLOAT
		15	9099253000	1 TANK COVER
		16	9099342000	1 GASKET
	[K1]	9099313000	1	RECOVERY TANK HW KIT

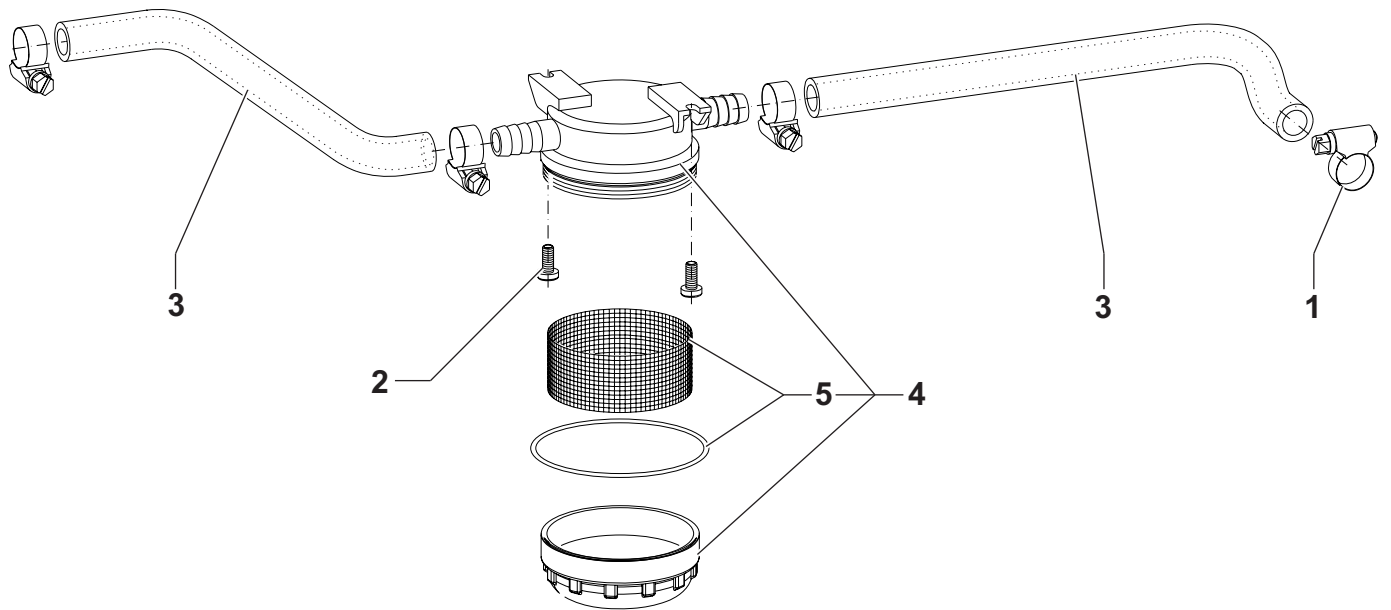
HANDLE BAR AND WHEELS



HANDLE BAR AND WHEELS

	ITEM	REF. NO.	QTY	DESCRIPTION
	K1	1	10	BELLEVILLE WASHER 17.3X27.7X0.4
	K1	2	6	WASHER M16 UNI6592
		3	9099256000	1 WHEEL SHAFT
	K1	4	2	PUSH SQUEEGEE SPRING
	K1	5	6	RING D 17 UNI7436
		6	9099270000	2 WHEEL Ø10"X33
	K1	7	6	WASHER 8X24 UNI6592
	K1	8	6	BELLEVILLE WASHER 15,8 X 8,2 X 0,35
	K1	9	6	SCREW, HEX THD TO HD M8x75
		10	9099254000	1 HANDLE BAR
	K1	11	6	NUT SELF L. M8 UNI7474
		12	9099286000	1 HARNESS HANDLEBAR
	K1	13	2	SCREW CYL HD 4X16 SELF L. PLAS
		14	11178A	1 SWITCH (SW3)
	K1	15	6	BLACK CAP D.18,5/24
	[K1]	9099315000	1	HANDLE BAR AND WHEELS HW KIT

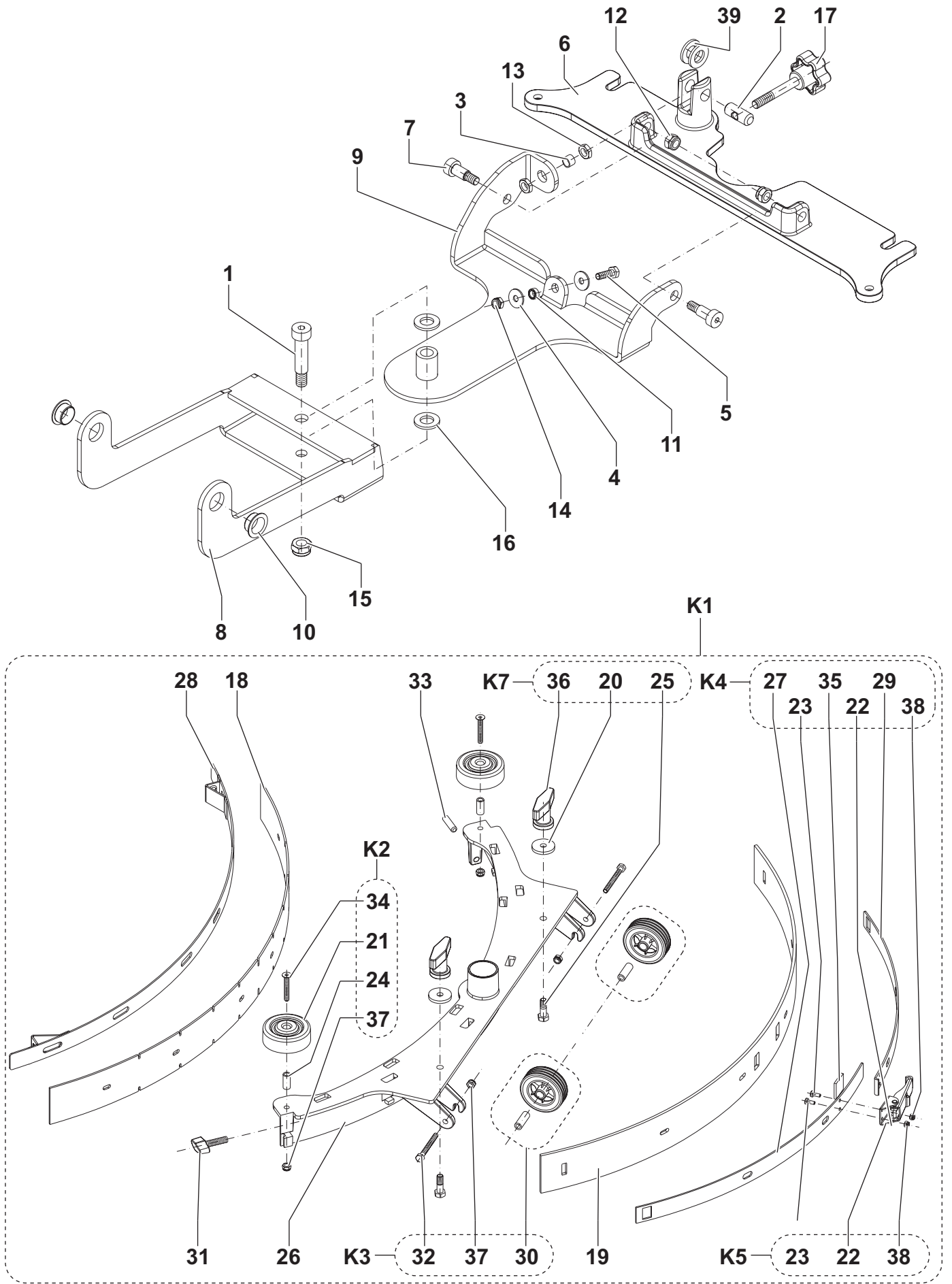
SOLUTION SYSTEM



SOLUTION SYSTEM

	ITEM	REF. NO.	QTY	DESCRIPTION
	1	33003496	4	CLAMP, HOSE 09/12-22
	3	909 5009 000	2	SCREW M5X12 SS UNI7687
	4	9099337000	2	HOSE DI.12 KIT
	5	9097404000	1	FILTER WATER
	6	909 5215 000	1	NET & GASKET WATER FILTER

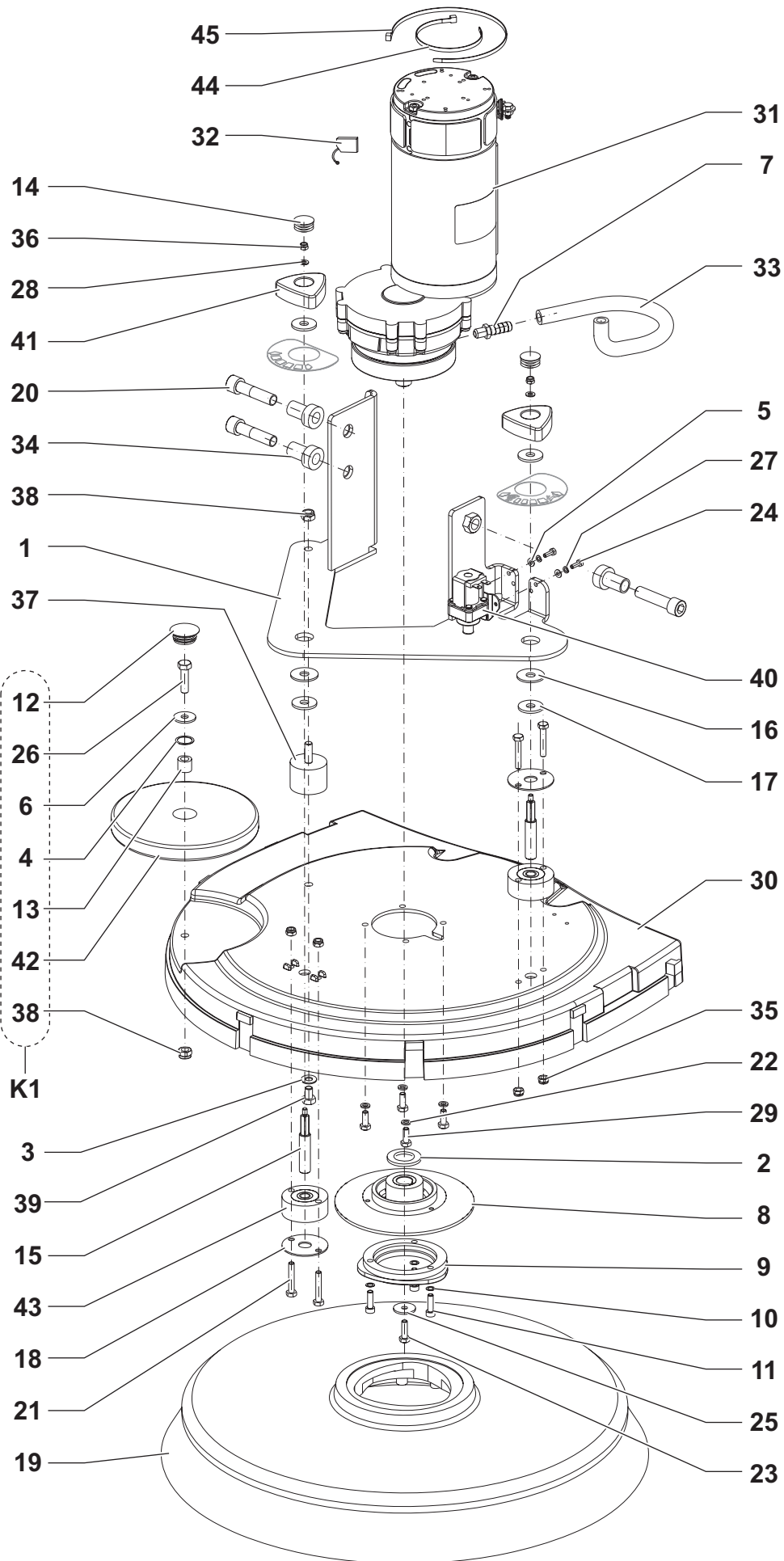
SQUEEGEE SYSTEM



SQUEEGEE SYSTEM

	ITEM	REF. NO.	QTY	DESCRIPTION
	K8		1	SCREW, SHOULDER Ø12X40 M10 ISO7379
	K8		1	SQUEEGEE SUPPORT PIN
	K8		1	SPACER 8X10X7
	K8		2	WASHER 6X18X1,5 UNI6593
	K8		1	SCREW M6X20 UNI5739
	6	909 6045 000	1	SQUEEGEE SUPPORT
	K8		2	SCREW, SHOULDER Ø10X16 M8
	8	9099249000	1	FRONT SQUEEGEE SUPPORT
	9	9099250000	1	REAR SQUEEGEE SUPPORT
	K8		2	BEARING WITH FLANGE
	K8		1	SPACER 6,5X10X4,5
	K8		2	NUT, HEX NYL LOC THIN M8
	K8		2	NUT HEX LOW M8
	K8		1	NUT SELF L. M6 UNI7474
	K8		1	NUT SELF L. M10 UNI7473
	K8		4	WASHER NYLON 13X24
	K8		1	HANDWHEEL M8X55
	K6		1	FRONT BLADE SQUEEGEE
	K6		1	REAR BLADE SQUEEGEE
	K7		2	RUBBER WASHER
	K2		2	WHEEL 2,5"
	K4-K5		1	SQUEEGEE LATCH
	K4-K5		2	SCREW M4X10 UNI7687
	K2		2	SPACER 6,3X9,5X21
	K7		2	SCREW 5/16"X1" UNC
	K1		1	SQUEEGEE
	K4		1	SQUEEGEE LEFT REAR STRAP
	K1		1	SQUEEGEE FRONT STRAP
	K4		1	SQUEEGEE RIGHT REAR STRAP
	K3		2	WHEEL 60X20 (WITH SPACER)
	K1		1	KNOB M8X30 SS
	K3		2	SCREW M6X55 UNI5739
	K1		1	SCREW GRUB M8X30 UNI5929
	K2		2	SCREW M6X40 UNI5933
	K4		1	RUBBER SPACER
	K7		2	NUT THUMB, SQUEEGEE FIXING
	K2-K3		4	NUT SELF L. M6 UNI7474
	K4-K5		2	NUT SELF L. M4 UNI7474
	K8		1	WASHER FLAT 15x25 NYLON
	K1	909 6851 000	1	KIT SQUEEGEE
	K1	909 6884 000	1	KIT SQUEEGEE BUMPER ROLLER
	K1	909 6883 000	1	KIT SQUEEGEE WHEEL
	K1	909 6882 000	1	KIT FIXING SQUEEGEE
	K1	909 6394 000	1	KIT LATCH FOR SQUEEGEE
	K1	[K6] 909 6860 000	1	BLADE RUBBER KIT 740MM/29"
	[K6]*	909 6858 000	1	BLADE PU KIT 740MM/29"
	K1	K7 9097637000	1	SQUEEGEE FIXING KIT
	[K8]	9099322000	1	SQUEEGEE SUPPORT HW KIT

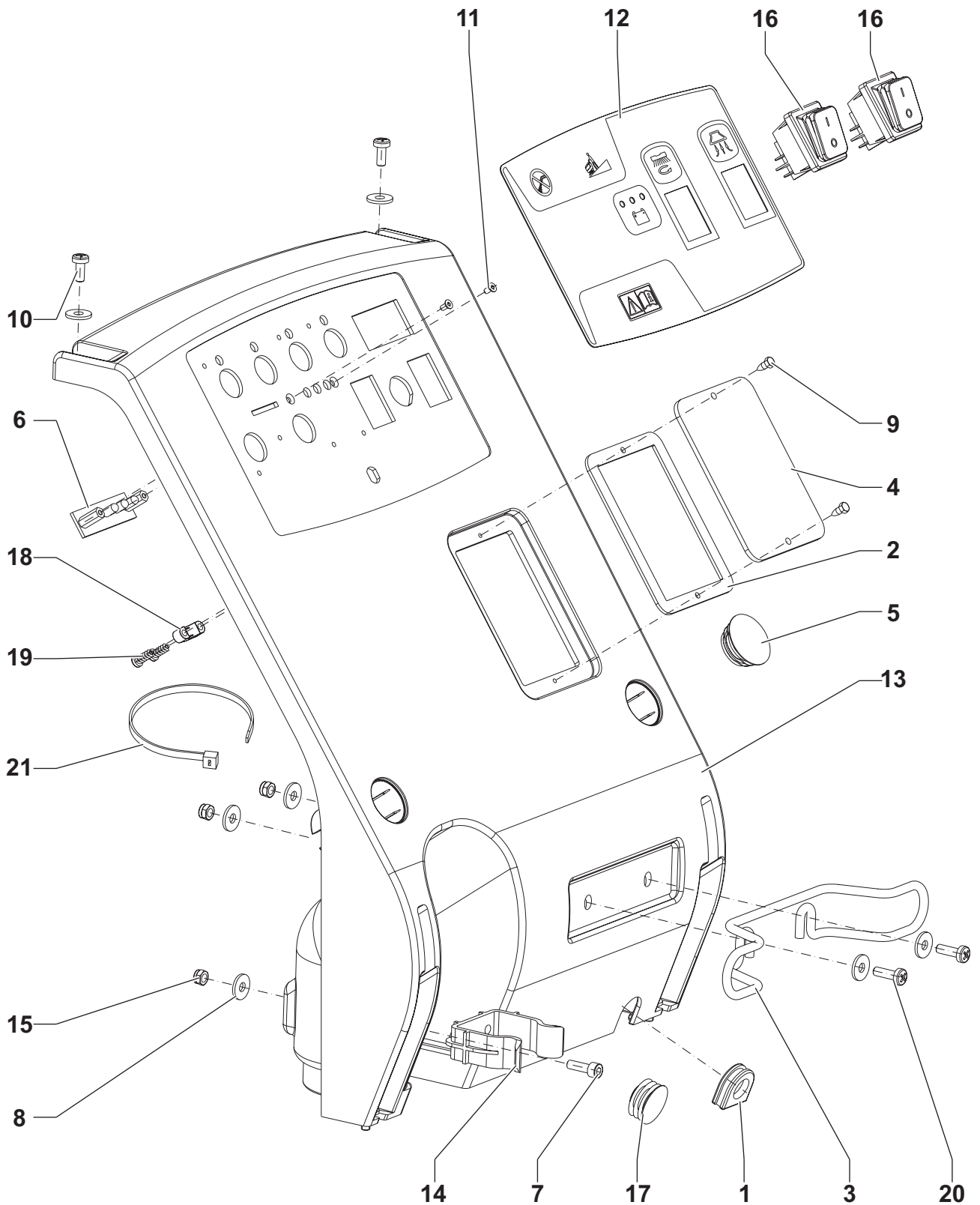
BRUSH DECK



BRUSH DECK

	ITEM	REF. NO.	QTY	DESCRIPTION
	1	9099259000	1	PLATE,DECK BRUSH HOLDER
K2	2		1	WASHER, FLAT 17x30
K2	3		2	WASHER, EXT.
K1	4		1	WASHER
K2	5		2	WASHER M4 SS UNI6592
K1	6		1	WASHER 8X24X2
K2	7		1	HOLDER RUBBER 1/4" TUBO D.10
	8	L08812306	1	HUB,BRUSH RIGHT
	9	L08812480	1	BRUSH HUB
K2	10		3	WASHER M6
K2	11		3	SCREW M6X20 UNI5931
K1	12		1	BLACK CAP
K1	13		1	SPACER 9X15X13
K2	14		2	CAP FOR KNOB
K2	15		2	PLATE FIXING PIN
K2	16		2	RUBBER WASHER10X30X2
K2	17		4	WASHER 9,5X27X2,5
K2	18		2	VIBRATION DAMPING PLATE
	19	L08837025	1	BRUSH 530 PROLENE
K2	20		3	SCREW M12X50 UNI5931
K2	21		4	SCREW M6X35 UNI5739
K2	22		4	WASHER M6 UNI8842A
	23	145 0492 000	1	SCREW M6X25 UNI5931
K2	24		2	SCREW, PAN PHIL M4x10 SS
	25	145 0493 000	1	WASHER 6.6X24X2 UNI6593
K1	26		1	SCREW HEX HD M8X30 SS
K2	27		2	WASHER, SPLIT LOCK D.4
K2	28		1	WASHER, FLAT 5.3x10x1 SS
K2	29		4	SCREW M6X16 UNI5739
	30	909 6042 000	1	BRUSH DECK 530
	31	909 6546 000	1	REDUCTION GEARMOTOR 480W 24V (M1)
	32	909 5380 000	1	KIT CARBON BRUSH (4PCS)
	33	9099341000	1	HOSE DI.10 L=250 MM
K2	34		3	FLANGED BUSHING
K2	35		4	NUT SELF L. M6 UNI7474 SS
K2	36		2	NUT SELFLOCKING LOW M5 SS
	37	9097184000	1	VIBRATION DAMPING M8 60SH
K1-K2	38		2	NUT SELFLOCKING LOW M8 SS
K2	39		1	SCREW M8X12 UNI5739
	40	9099563000	1	SOLENOID VALVE 24V (EV1)
	41	L08812203	2	KNOB
K1	42		1	BUMPER ROLLER
K2	43		2	BUFFER
K2	44		1	TIE, CABLE 4,8X200
K2	45		1	TIE, CABLE 4,8X430
	K1	909 6887 000	1	BUMPER ROLLER KIT
	[K2]	9099326000	1	BRUSH DECK HW KIT

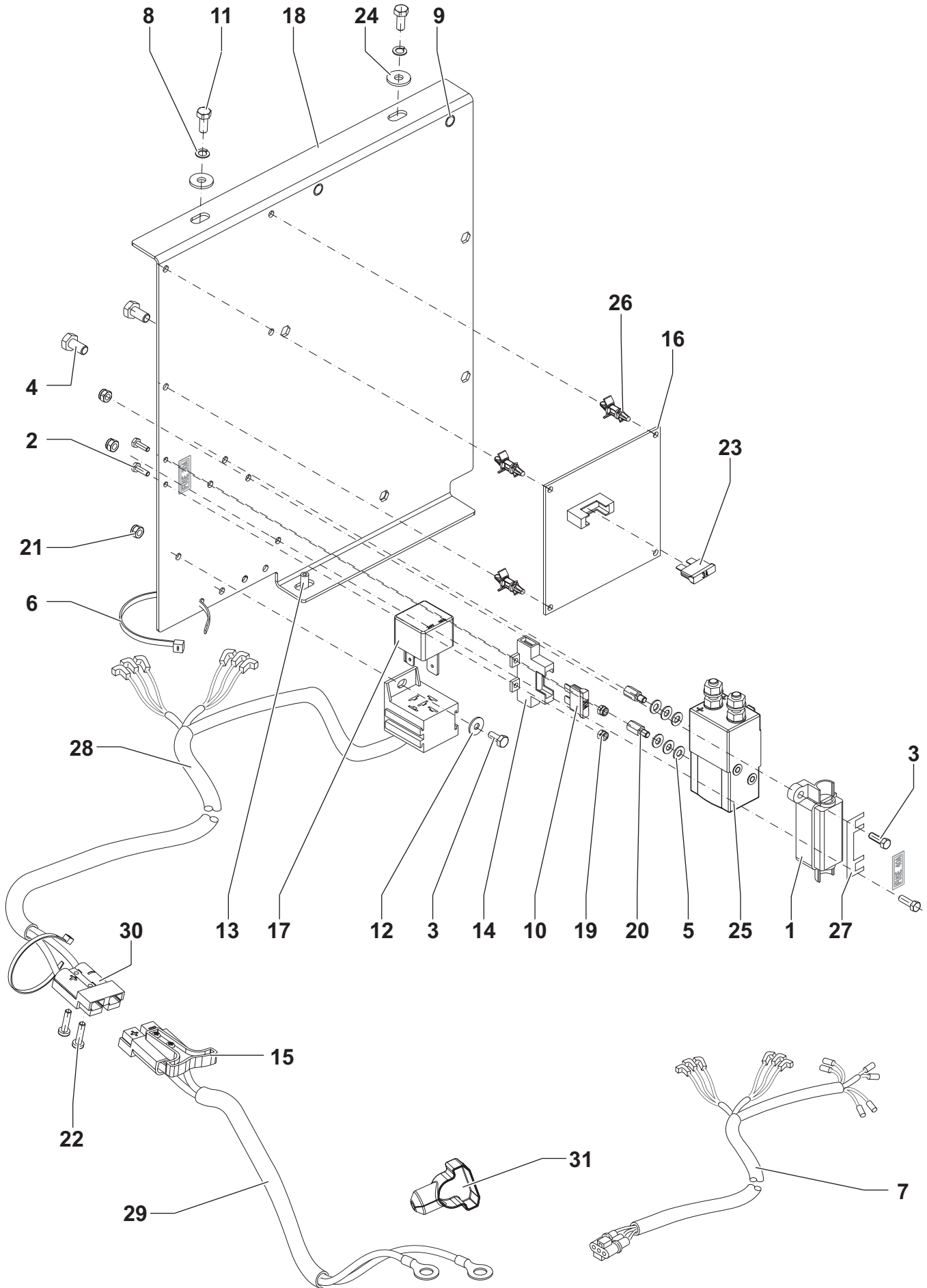
COVER PANEL



COVER PANEL

	ITEM	REF. NO.	QTY	DESCRIPTION
K1	1		1	GROMMET
K1	2		1	GASKET
	3	909 5149 000	1	CABLE SUPPORT
	4	909 5313 000	1	PLATE INSPECTION TRANSP.
K1	5		1	PLUG Ø25
	6	L08812909	1	LED BOARD (EB2)
K1	7		1	SCREW M5X16 SS
K1	8		9	WASHER 5X15 SS
K1	9		2	SCREW HEX THD FORM
K1	10		4	SCREW M5X12 SS
K1	11		2	SCREW M3X6 UNI7688
	12	9099271000	1	CONTROL PANEL DECAL
	13	9099279000	1	ELECTRONIC COMPONENTS COVER
K1	14		1	HOSE CLAMP
K1	15		3	NUT, HEX NYL LOC THIN M5
	16	909 5584 000	2	SWITCH (SW1-2)
K1	17		1	CAP
K1	18		1	CLAMP, PLASTIC CABLE
K1	19		2	SCREW,PAN PHIL THD FORM
K1	20		2	SCREW M5X16 UNI7687
K1	21		1	TIE, CABLE 3,6X140
	[K1]	9099327000	1	COVER PANEL HW KIT

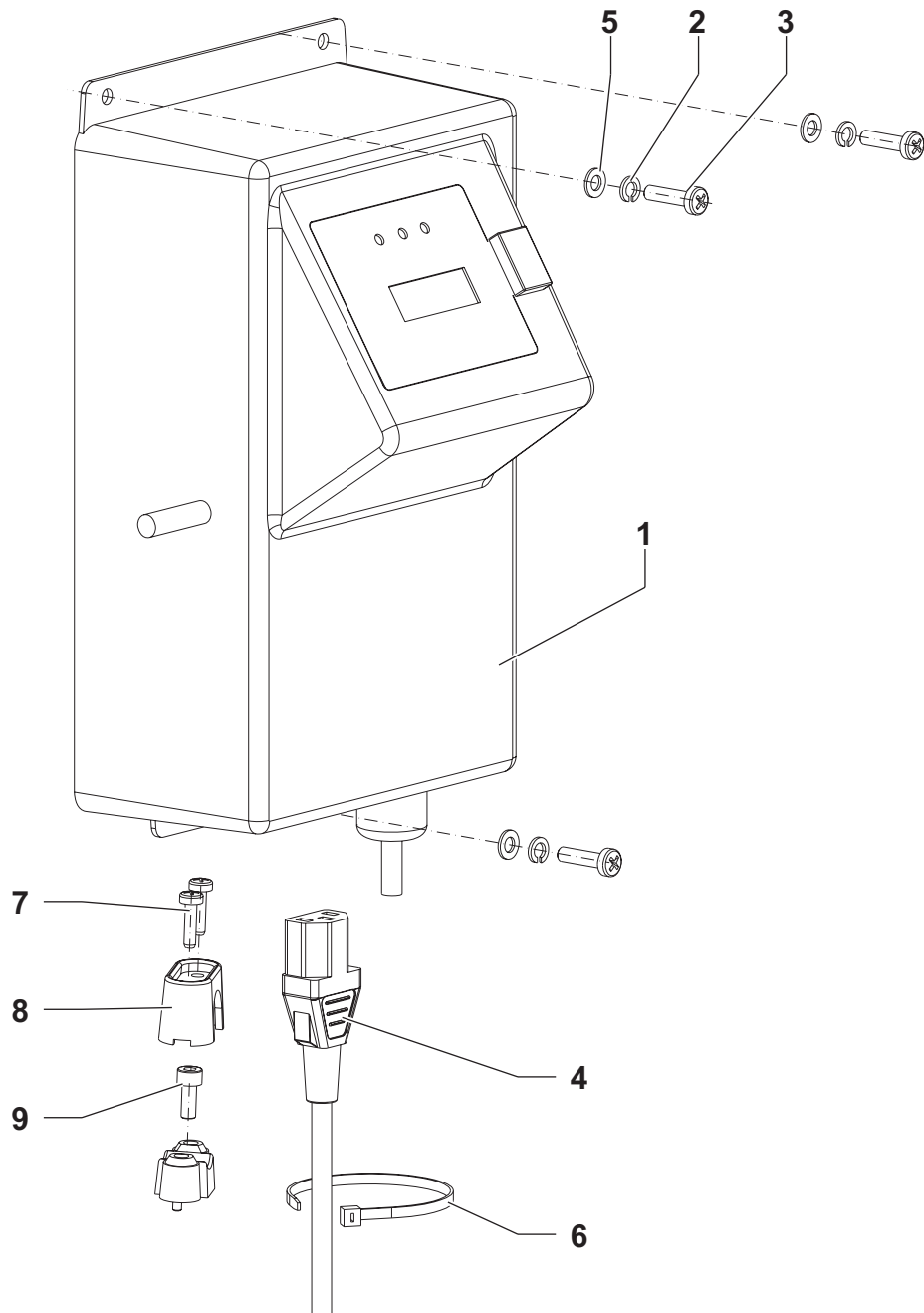
ELECTRICAL COMPONENTS



ELECTRICAL COMPONENTS

	ITEM	REF. NO.	QTY	DESCRIPTION
	1	145 8046 000	1	HOLDER FUSE
K1	2		2	SCREW M3X10 UNI5739
K1	3		3	SCREW, HEX THD TO HD M4X12
K1	4		2	SCREW, HEX THD TO HD M4x8
K1	5		6	WASHER, FLAT 4,3x9
K1	6		2	CLAMP 3,6X140
	7	9099268000	1	HARNESS MACHINE
K1	8		2	WASHER M5 UNI1751B
K1	9		3	HEX INSERT M5
	10	145 8513 000	1	BLADE FUSE 30A (F1)
K1	11		2	SCREW M5X12 UNI5739
K1	12		1	WASHER 4X12 UNI6593
K1	13		1	SCREW GRUB M5X12 UNI5929
	14	146 0660 000	1	HOLDER FUSE
	15	1464116000	1	HANDLE RED PLASTIC FOR CONNECTOR
	16	909 5098 000	1	ELECTRONIC CARD (EB1)
	17	909 6622 000	1	RELAY, 24V 40A (ES2)
	18	909 6498 000	1	ELECTRONIC SUPPORT
K1	19		2	NUT SELF L. M3 UNI7474
K1	20		2	STANDOFF, HEX MALE/FEMALE
K1	21		3	NUT SELF L. M4 UNI7474
K1	22		2	SCREW PAN PHIL M5x20
	23	145 9852 000	1	FUSE BLADE 5A
K1	24		2	WASHER 5X15X1,5 UNI6593
	25	146 0719 000	1	CONTACTOR 24V (ES1)
K1	26		4	PLASTIC SPACER
	27	145 3824 000	1	FUSE 40A (F2)
	28	9099291000	1	HARNESS ELECTRIC BOX
	29	909 5955 000	1	HARNESS BATTERY
	30	9098761000	2	CONNECTOR (C1)
	31	L08812093	1	BOOT.BATTERY CLAMPS BLACK
	[K1]	9099328000	1	ELEC. COMPONENTS HW KIT

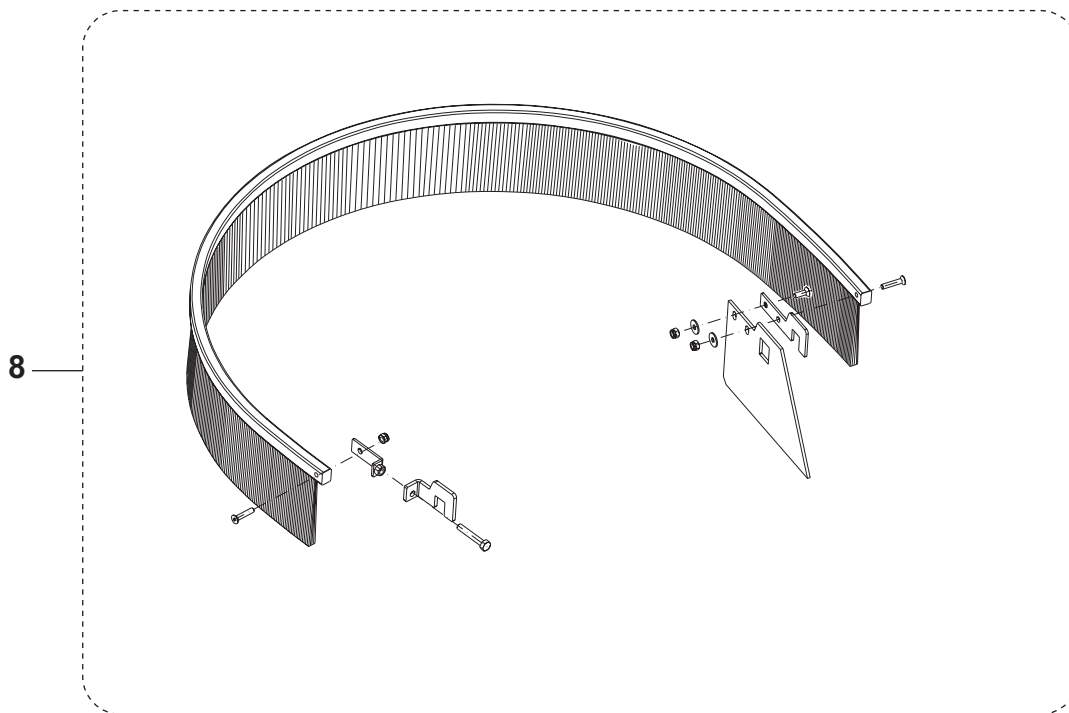
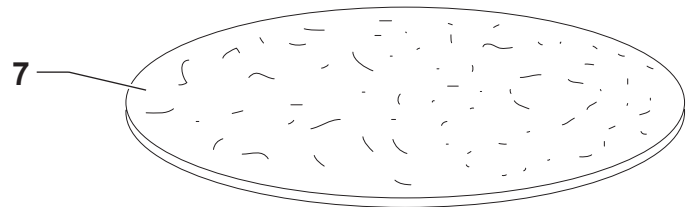
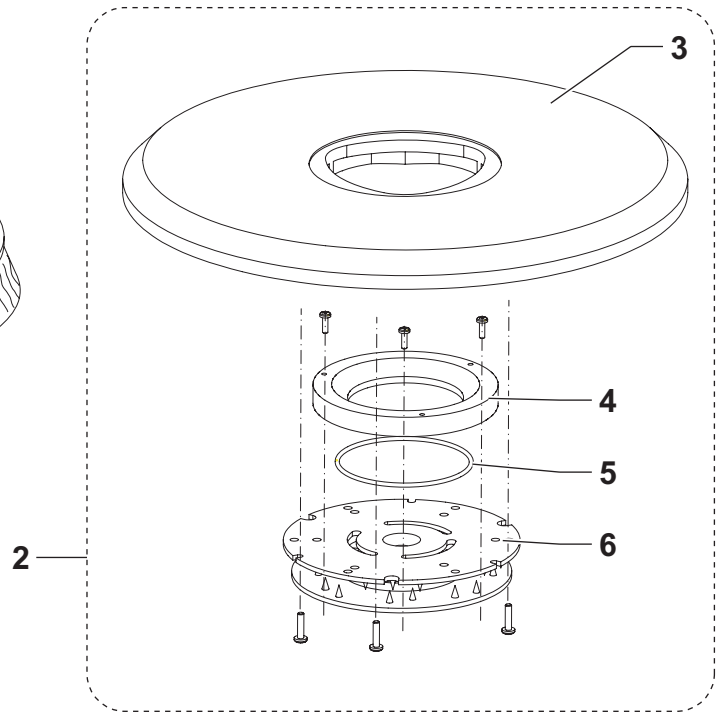
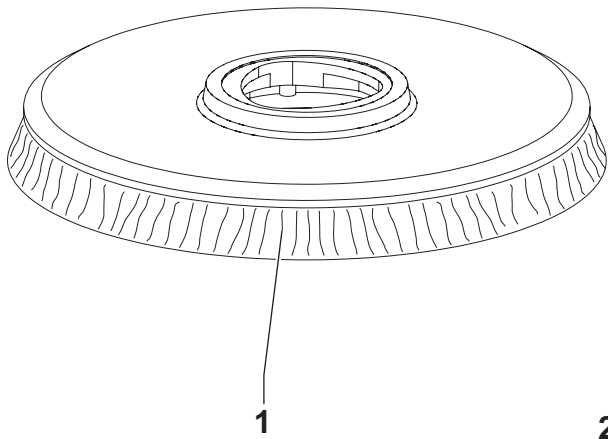
BATTERY CHARGER



BATTERY CHARGER

ITEM	REF. NO.	QTY	DESCRIPTION
1	9098296000	1	BATTERY CHARGER 24V 13A (CH)
2		3	WASHER M5 UNI1751B
3		3	SCREW M5X20 UNI7687
4	9096914000	1	CABLE EXTENSION US (C2)
5		3	WASHER M5 UNI6592
6		1	TIE, CABLE 3,6X140
7		2	SCREW CYL HD 4X16 SELF L. PLASTOFAST2
8	L08338600	1	CAP BRACKET
9		1	VITI TCEI/SCR, SOC HD

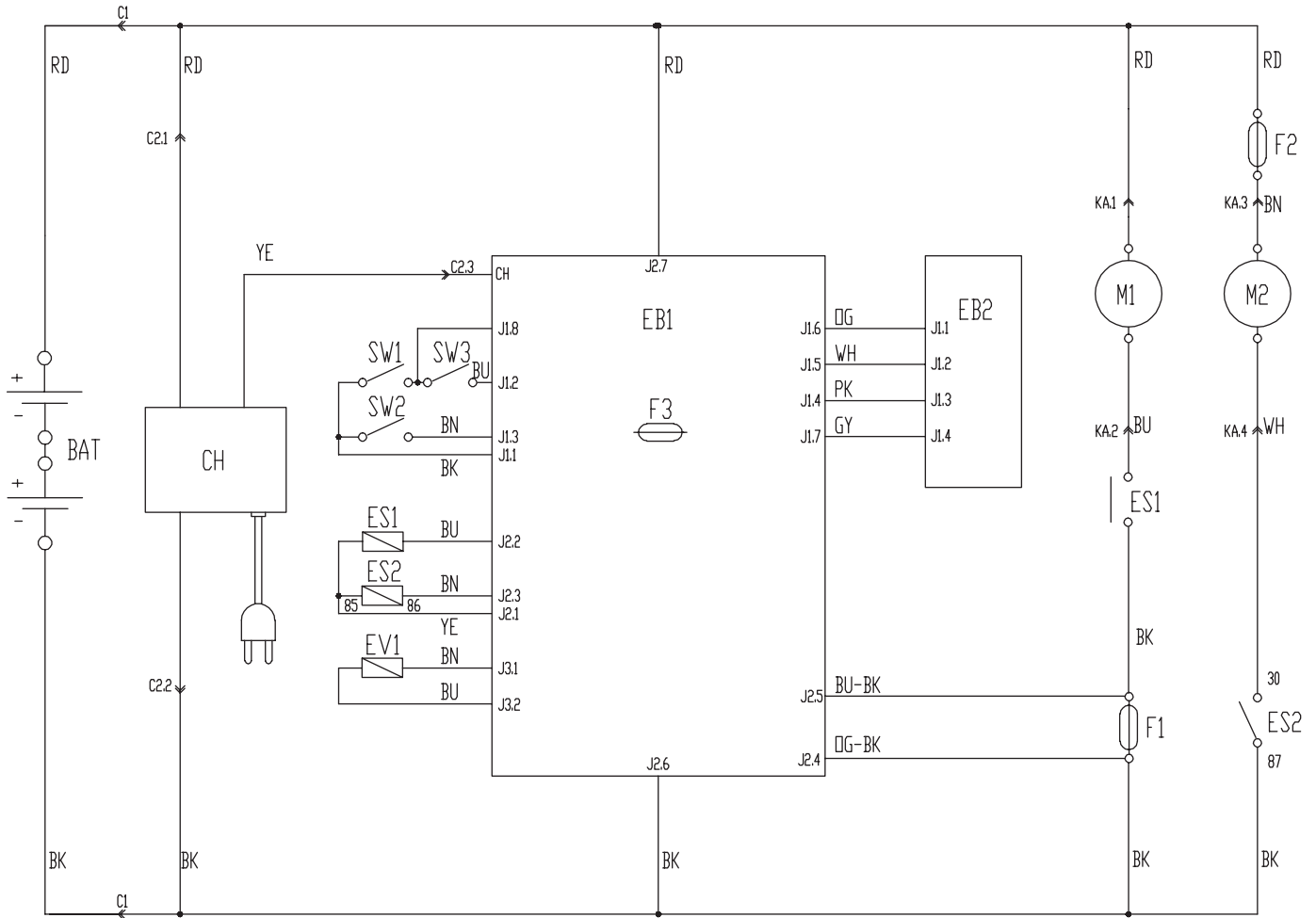
ACCESSORIES



ACCESSORIES

ITEM	REF. NO.	QTY	DESCRIPTION
1	L08837025	1	BRUSH PROLENE
1*	L08837026	1	BRUSH PROLITE
1*	L08837027	1	BRUSH UNION MIX
1*	L08837065	1	BRUSH MAGNA GRIT 46
1*	L08837066	1	BRUSH DYNA GRIT 80
2*	L08837018	1	PAD HOLDER KIT
3	L08812466	1	PAD HOLDER
3	9099671000	1	PAD HOLDER GRIP 21"
4	L08603966	1	RING NYLON
5	L08603965	1	SEAL O-RING
6	L08837030	1	RETAINER PAD
7*	10001961	1	PAD 21 530MM ECO BLACK5PCS
7*	10001962	1	PAD 21 530MM ECO BLUE 5PCS
7*	10001963	1	PAD 21 530MM ECO BROWN 5PCS
7*	10001964	1	PAD 21 530MM ECO GREEN 5PCS
7*	10001965	1	PAD 21 530MM ECO RED 5PCS
7*	10001966	1	PAD 21 530MM ECO WHITE 5PCS
7*	10002352	1	PAD 21 533MM DIAMOND LINE RED 2PCS
7*	10002354	1	PAD 21 533MM DIAMOND LINE YELLOW 2PCS
7*	10002355	1	PAD 21 533MM DIAMOND LINE GREEN 2PCS
8*	909 6736 000	1	SPLASH GUARD 20" KIT
	909 6745 000	1	INSTRUCTIONS INSTALLATION

WIRING DIAGRAM



WIRING DIAGRAM

KEY	REF. NO.	DESCRIPTION
BAT	-	24V BATTERIES
C1	9098761000	BATTERY CONNECTOR
C2	909 5633 000	MAIN CHARGER CONNECTOR
CH	9098297000	BATTERY CHARGER (OPT)
EB1	909 5098 000	MAIN ELECTRONIC BOARD
EB2	L08812909	LED BOARD
ES1	146 0719 000	BRUSH MOTOR ELECTROM. SWITCH
ES2	909 6622 000	VACUUM MOTOR ELECTROM. SWITCH
EV1	9099921000	ELECTROVALVE WATER
F1	145 8513 000	BRUSH DECK FUSE 30A
F2	145 3824 000	VACUUM MOTOR FUSE 40A
F3	145 9852 000	LOW POWER CIRCUIT FUSE 5A
M1	909 6546 000	DISC BRUSH MOTOR
M2	9099922000	VACUUM MOTOR
SW1	909 5584 000	BRUSH SWITCH
SW2	909 5584 000	VACUUM SWITCH
SW3	11178A	HANDLE BAR SWITCH

KEY	COLOUR
BK	BLACK
BU	LIGHT BLUE
BN	BROWN
GN	GREEN
GY	GREY
OG	ORANGE

KEY	COLOUR
PK	PINK
RD	RED
VT	VIOLET
WH	WHITE
YE	YELLOW

RECOMMENDED PARTS

REF. NO.	QTY	DESCRIPTION
		NORMAL WEAR
909 5371 000	1	CARBON BRUSH KIT
909 6860 000	1	BLADE SQUEEGEE KIT
L08837025	1	BRUSH 530 PROLENE
909 5380 000	1	KIT CARBON BRUSH (4PCS)
909 6736 000	1	SPLASH GUARD 20" KIT
		ORDINARY MAINTENANCE
9099258000	1	SQUEEGEE LIFT ROPE
9099560000	1	WHEEL 2"
9099922000	1	VACUUM MOTOR 330W 24V KIT (M2)
9099255000	1	VACUUM MOTOR HOSE
9099281000	1	SQUEEGEE HOSE
9099692000	1	DRAIN HOSE KIT
9099342000	1	GASKET RECOVERY TANK COVER
9099270000	2	WHEEL Ø10"X33
9097404000	1	FILTER WATER
909 5215 000	1	NET & GASKET WATER FILTER
909 6546 000	1	REDUCTION GEARMOTOR 480W 24V (M1)
9099563000	1	SOLENOID VALVE 24V (EV1)
9097184000	1	VIBRATION DAMPING M8 60SH
L08837018	1	PAD HOLDER KIT
9099310000	1	GASKET VACUUM MOTOR KIT
9099311000	1	GASKET ELECTRICAL COVER KIT
		EXTRA-ORDINARY MAINTENANCE
11178A	1	SWITCH (SW3)
9099271000	1	CONTROL PANEL DECAL
909 5584 000	2	SWITCH (SW1-SW2)
145 8513 000	1	BLADE FUSE 30A (F1)
909 5098 000	1	ELECTRONIC CARD (EB1)
909 6622 000	1	RELAY, 24V 40A (ES2)
146 0719 000	1	CONTACTOR 24V (ES1)
145 3824 000	1	FUSE 40A (F2)
9099291000	1	HARNESS ELECTRIC BOX
9098761000	2	CONNECTOR SB50 RED (C1)
9099268000	1	HARNESS MACHINE
145 9852 000	1	FUSE BLADE 5A
9098297000	1	BATTERY CHARGER 24V 13A (CH)
909 6887 000	1	BUMPER ROLLER KIT

OPTIONAL

	REF. NO.	QTY	DESCRIPTION
	9096916000	1	FILTER SOLUTION TANK
	9097290000	1	HOSE FILLING
	909 6858 000	1	BLADE PU KIT 740MM/29"
	L08837026	1	BRUSH PROLITE
	L08837027	1	BRUSH UNION MIX
	L08837028	1	BRUSH MIDLITE GRIT
	L08837029	1	BRUSH MID GRIT 240
	L08837065	1	BRUSH MAGNA GRIT 46
	L08837066	1	BRUSH DYNA GRIT 80
	L08837067	1	BRUSH AGLITE GRIT 500
	L08837018	1	PAD HOLDER KIT



Advance

14600 21st Avenue North
Plymouth, MN 55447-3408

www.advance-us.com

Phone: 800-989-2235

Fax: 800-989-6566

©2012 Nilfisk-Advance, Inc.