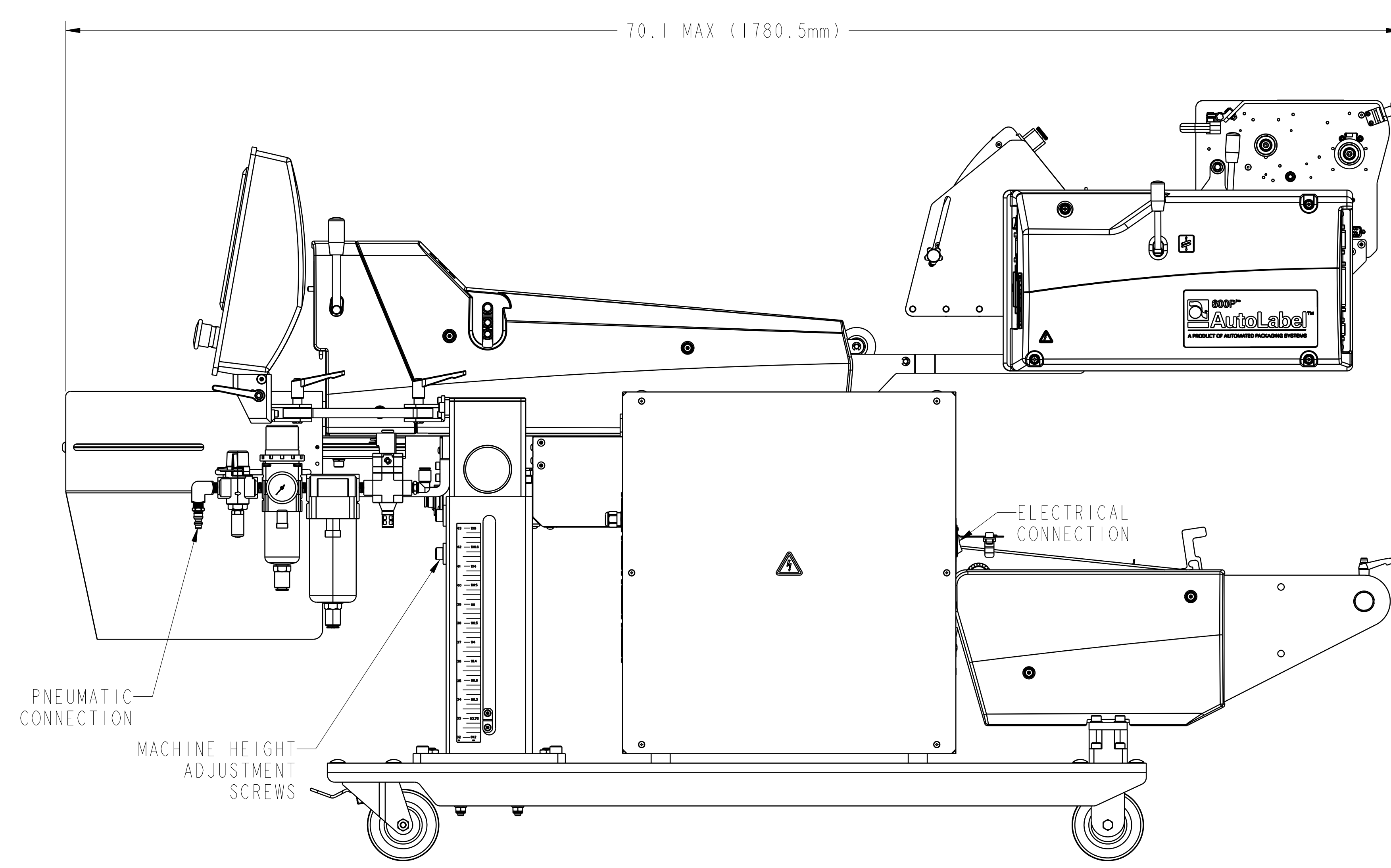
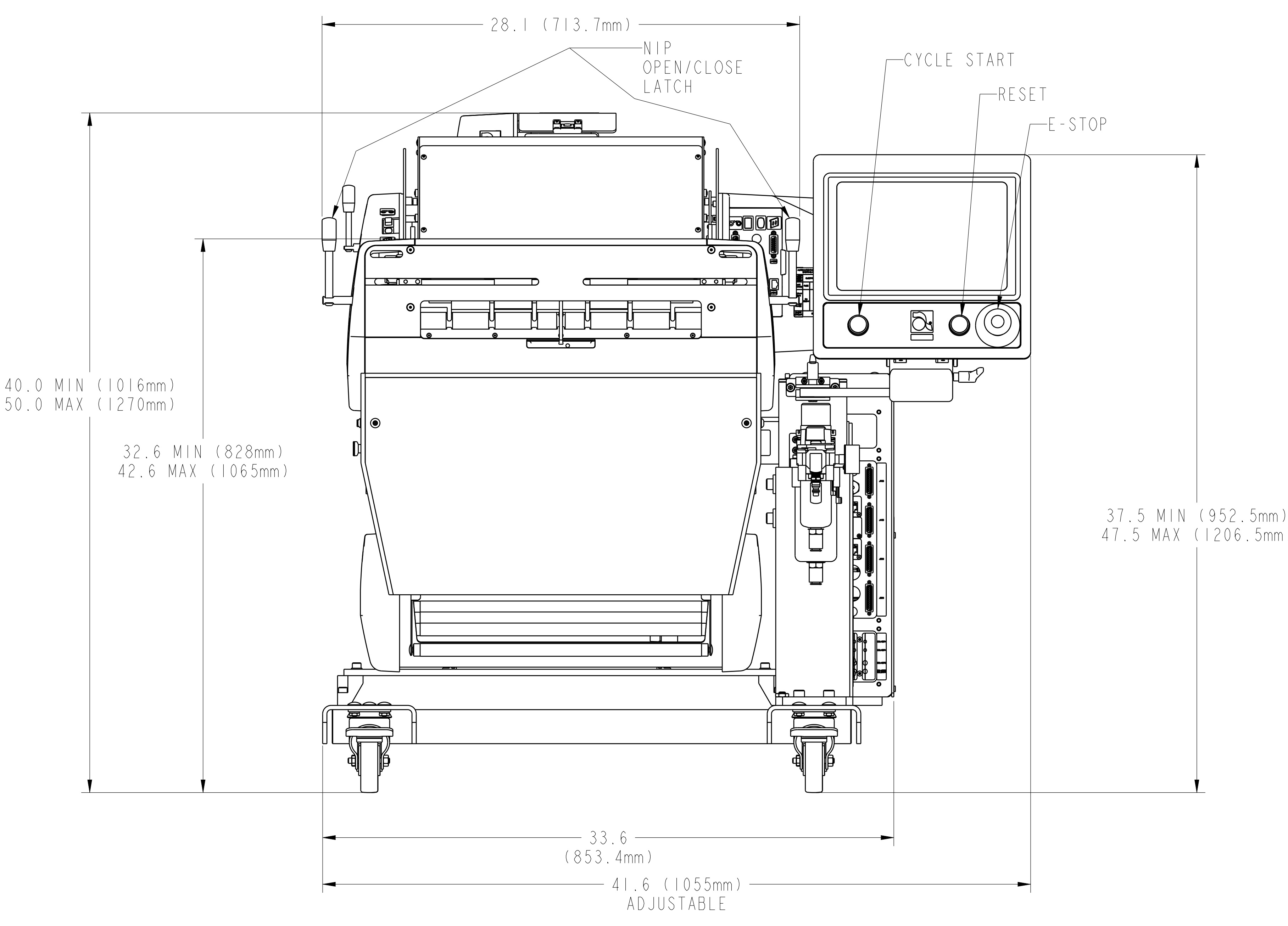


BAGGER SPECIFICATIONS	
WEIGHT	350 LBS (158.6 KG)
ELECTRICAL	UNIVERSAL INPUT, 100V TO 240V VAC, 50/60 Hz POWER CONSUMPTION: 500W (VA) MAX
AIR FEED	5 CFM/80 PSI (141 LPM @5.5 BAR)
PASS-THROUGH	UP TO 5 INCHES (127mm)
BAG THICKNESS	1.09 - 4.0 MIL
BAG SIZES	WIDTH: 2 to 12 INCHES (50.8 - 304.8mm) LENGTH: 3 to 20 INCHES (76.2 - 508mm)
WEIGHT CAPACITY	UP TO 5 LBS (WITH LOAD SHELF) (2.25KG)

PRINTER SPECIFICATIONS	
WEIGHT	75 LBS (34 KG)
ELECTRICAL	100-240V, 50/60 Hz, 300W
AIR FEED	SUPPLIED FROM BAGGER
LABEL SIZE	UP TO 4 INCHES WIDE (101.6mm) 20 INCHES LONG (508mm)



Fabricated & Documented to be RoHS Compliant

REV	BY	DATE	ECN	DESCRIPTION
B	DMF	7-1-21	3265	UPDATED POWER CONSUMPTION: 500W MAX 1500W, 300W MAX 2.4kW
A	DMF	11-15-20	2895	RELEASED

FINISH: NONE

MATERIAL: NONE

MACHINING SURFACES TO BE NO GREATER THAN 125 13.21 ✓
MILLING SURFACES TO BE NO GREATER THAN 125 13.21 ✓
PART MUST BE FREE OF BURRS AND SHARP EDGES

TOLERANCES: DIMENSIONS: mm
1 PLACE DIMS ± .1
2 PLACE DIMS ± .05
3 PLACE DIMS ± .01
HOLDING ± .02

NOTICE: THIS DOCUMENT CONTAINS PROPRIETARY INFORMATION AND IS ONLY TO BE USED BY PERSONNEL OF THE SYSTEMS DIVISION. IN CASE OF THEFT, CONTACT THE FIELD WRITER, CONSULTANT OR AUTOMATED PACKAGING SYSTEMS INC.

THIRD ANGLE PROJECTION

Automated PACKAGING SYSTEMS
10175 PHILLIPP PARKWAY - STREETSBORO, OH 44224

DRAWING SIZE: E SCALE: 1/4 NAME: DMF
DATE: 11-15-20

FOOTPRINT: AB600 & AL600P W/UNWIND

FP274